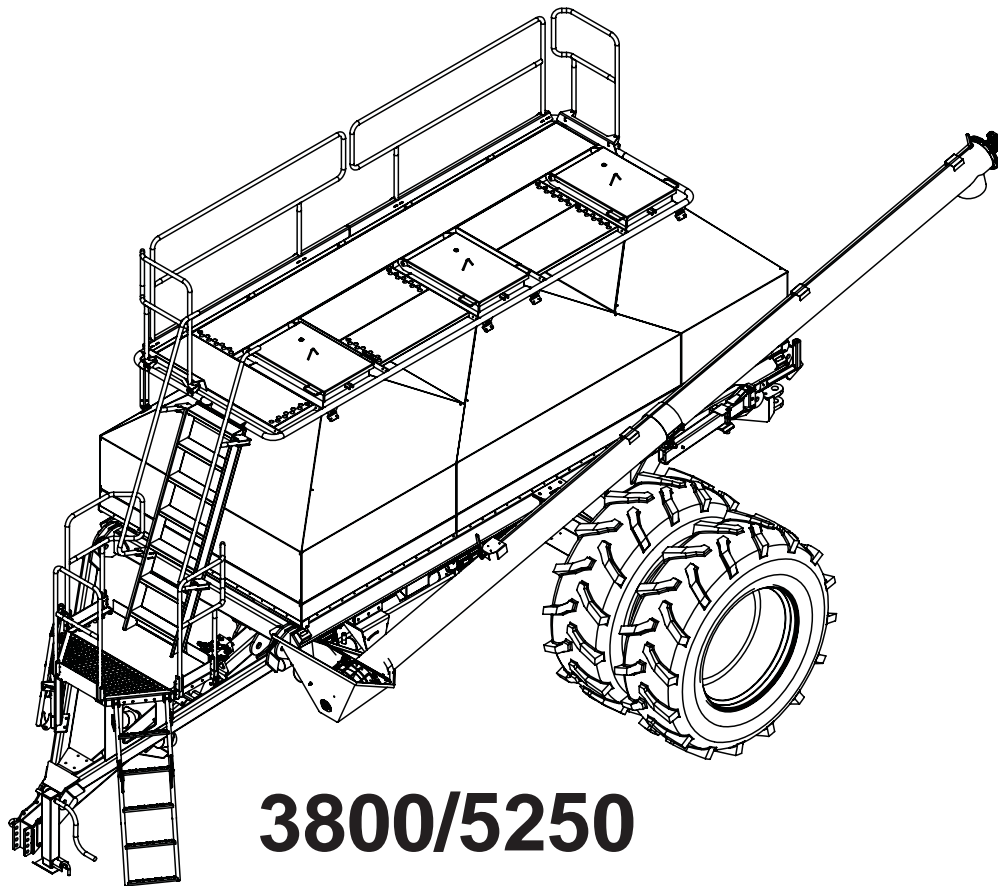


Amity

TECHNOLOGY



PARTS MANUAL



3800/5250

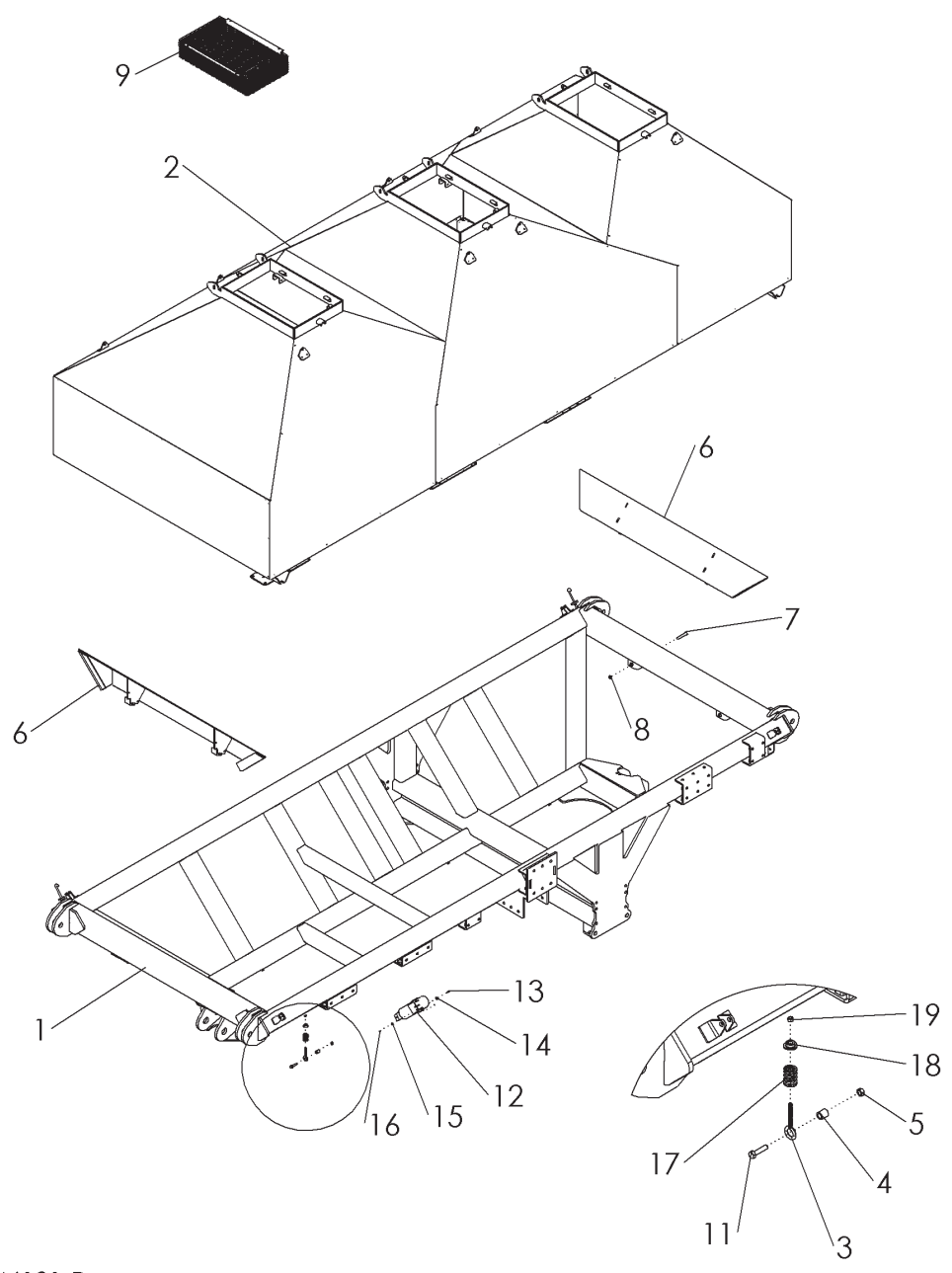
AIR CART

S/N 702300...
P/N 330547

Amity Technology, LLC
2800 7th Avenue North
Fargo, ND 58102
(701) 232-4199
www.amitytech.com

Parts Table of Contents

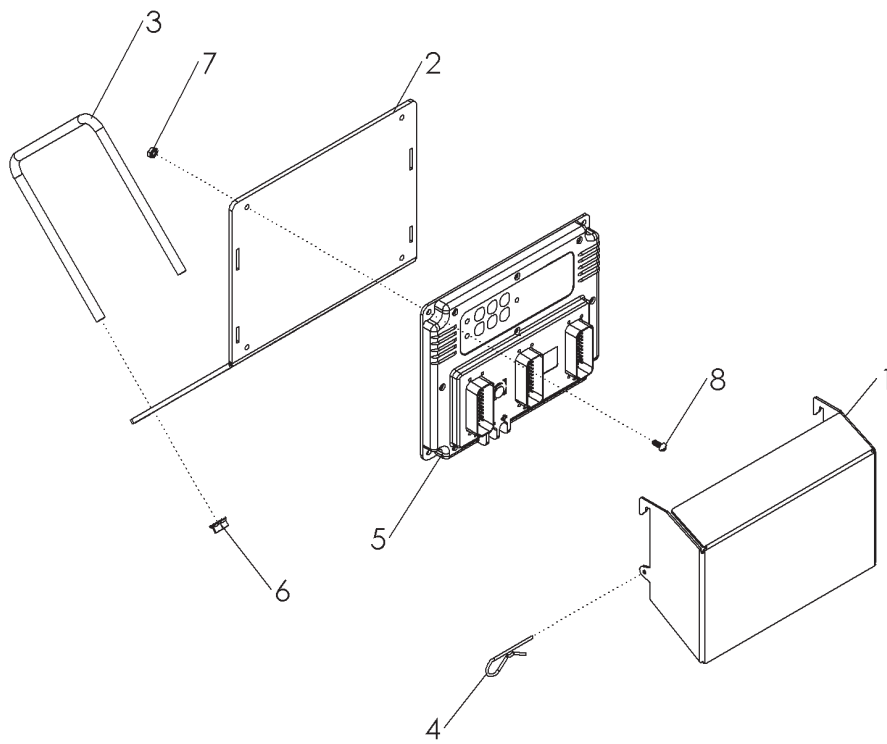
ASSY-ECU MOUNT & ELECTRICAL.....	7
ASSY-PRESSURIZATION KIT	9
ASSY-AXLE HUB AND SPINDLE	11
ASSY-FRONT HITCH	15
ASSY-REAR HITCH.....	17
ASSEMBLY-TANK LADDERS.....	19
ASSEMBLY-WIRE MOUNT & SHIELD	21
ASSY-METER BOX	23
ASSY-METER BOX DOOR.....	25
ASSY-SINGLE AIRSTREAM	29
ASSY-DUAL CHUTE	31
ASSY-SINGLE FAN TOW BEHIND.....	33
ASSY-DUAL FAN TOW BEHIND	33
ASSY-SINGLE FAN TOW BETWEEN.....	35
ASSY-DUAL FAN TOW BETWEEN	35
ASSY-CALIBRATION COMPONENTS	37
ASSY-BLOWER HYDRAULIC DRIVE SINGLE FAN TOW BEHIND.....	39
ASSY-BLOWER HYDRAULIC DRIVE DUAL FAN TOW BEHIND	41
ASSY-BLOWER HYDRAULIC DRIVE SINGLE FAN TOW BETWEEN....	43
ASSY-BLOWER HYDRAULIC DRIVE DUAL FAN TOW BETWEEN	45
ASSY-TOW BETWEEN COUPLERS & ELECTRIC.....	47
ASSY-HYDRAULIC DRIVE - METERS	49
ASSY-CATWALKS & RAILINGS & LADDERS.....	51
ASSY-AUGER	53
ASSY-AUGER MOUNTING COMPONENTS	55
ASSY-INNER & OUTER AUGER ARMS.....	57
ASSY-AUGER & HYDRAULICS.....	59
ASSY-DOORS.....	61
ASSY-DECALS AIR CART 5250	63
ASSY-SAFETY LIGHTS	65



M6101-D

ASSY-TANK/FRAME

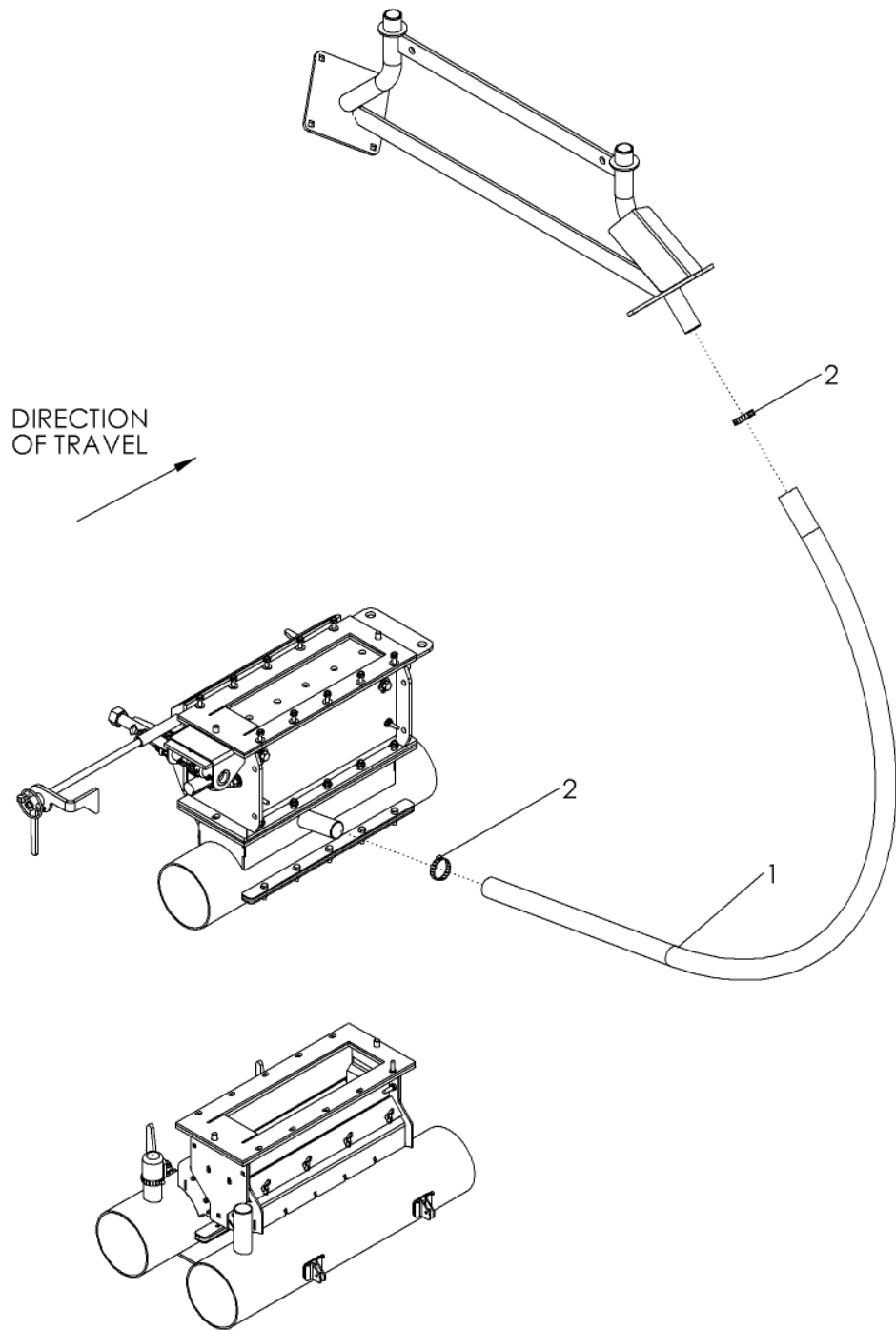
Ref.	Part No.	Description	Qty.
1	37501	WLDMT-FRAME 525/380 BU CART	1
2	330608	WLDMT-TANK 525 BU CART	1
	331165	WLDMT-TANK 380 BU CART	
3	330830	EYEBOLT-TANK RETAINER	4
4	330822	TUBE-HOLD DOWN COLLAR ZP	4
5	1011500	NUT-CENTERLOCK: .50 NC GR5 ZP	4
6	37090	WLDMT-TANK TENSION SLIDER	2
7	1032273	BOLT-TAP: .63 X 3.50 NC GR5 ZP	4
8	1026259	NUT-JAM: .63 NC GR2 ZP	4
9	1026562	WLDMT-SCREEN BASKET	3
10	66550	KIT-LOW VOLUME TANK INSERT (OPTIONAL)	3
11	1011609	BOLT-HEX: .50 X 2.00NC GR5 ZP	4
12	234313	STORAGE TUBE- OWNERS MANUAL	1
13	1011595	BOLT-HEX: .38 X 1.00 NC GR5 ZP	3
14	1011828	WASHER-FLAT: .38 ZP	3
15	1011586	WASHER-LOCK: .38 ZP	3
16	1011576	NUT-HEX: .38 NC GR2 ZP	3
17	330829	SPRING-TANK RETAINER	4
18	330828	COLLAR-SPRING RETAINER ZP	4
19	1016999	NUT-TOPLOCK: .38 NC GR5 ZP	4



M6102-B

ASSY-ECU MOUNT & ELECTRICAL

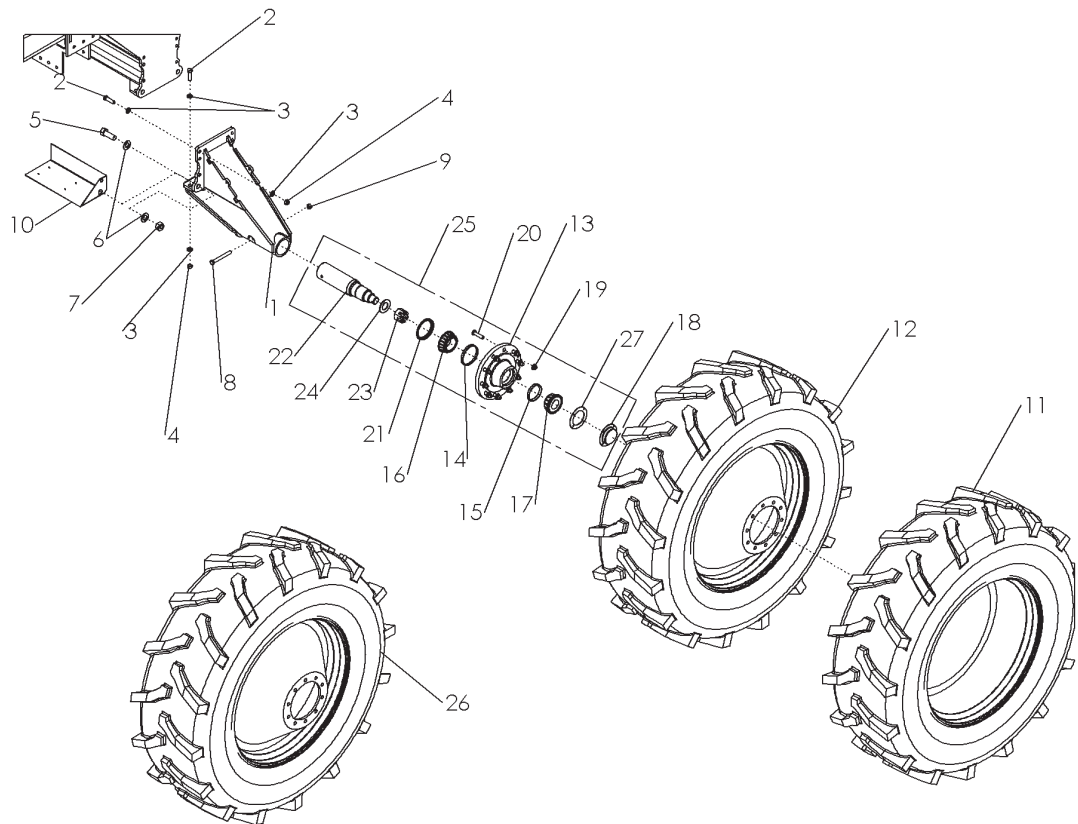
Ref.	Part No.	Description	Qty.
1	330298	PLATE-ECU COVER	1
2	330297	WLDMT-ECU MOUNT	1
3	37532	U-BOLT: .375 X 7.00 X 6 X 7.00 ZP	2
4	1012901	PIN-HAIR: .13 X 2.50 ZP	2
5	330339	ECU-D3 ISO CONTROLLER (ICON)	1
6	44118	NUT-FLANGE SERR .38 NC ZP GR2	4
7	1032059	NUT-K-LOCK: 18-8 SS .19 NC	4
8	66353	SCREW-P-H: .19 X .50 NC SS	4
9	67643	HARNESS-TANK (NOT SHOWN)	1
10	66585	CLIP-WIRE HARNESS PURSE LOCK WHITE (NOT SHOWN)	20
11	67492	HARNESS-ISO TANK COMPONENT SHORT (NOT SHOWN)	3
12	67494	HARNESS-ISO 3 WAY MOTOR ADAPTER (NOT SHOWN)	1
13	67489	HARNESS-METER SPEED (NOT SHOWN)	3
14	37034	HARNESS-TANK BULKHEAD (NOT SHOWN)	3
15	33005	SENSOR-SPEED GPS (NOT SHOWN)	1
16	67223	ADAPTER-GPS SPEED SENSOR (NOT SHOWN)	1



M6103-A

ASSY-PRESSURIZATION KIT

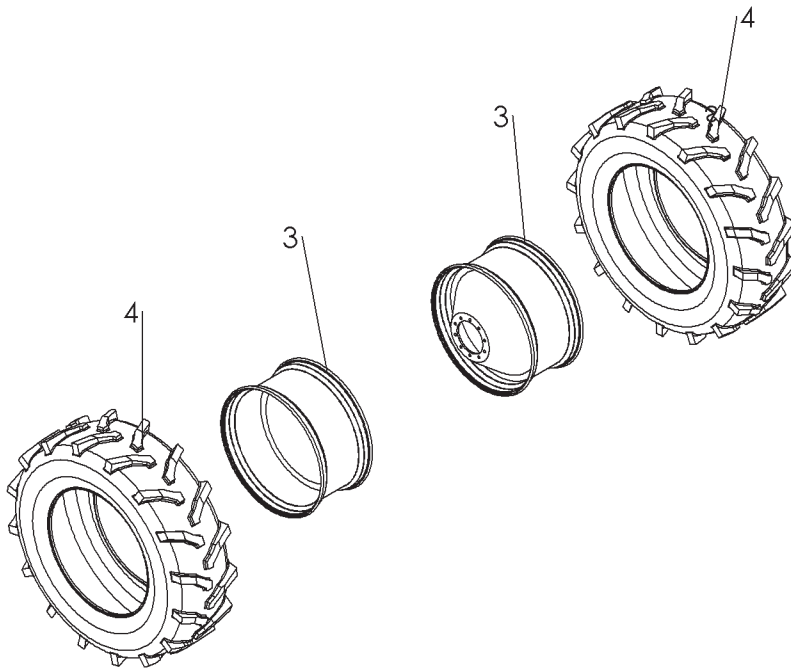
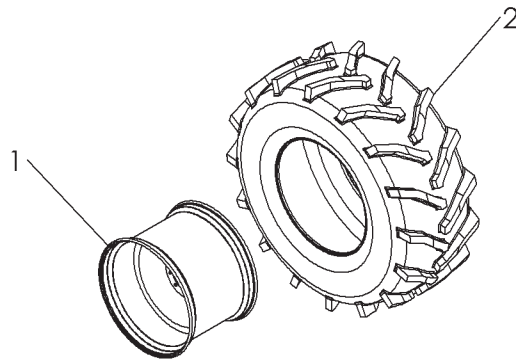
Ref.	Part No.	Description	Qty.
1	37760	HOSE-HANAFLEX 112 1.25 X 48"	1
2	1026358	CLAMP-HOSE: #16 0.81-1.50	2



M6104-B

ASSY-AXLE HUB AND SPINDLE

Ref.	Part No.	Description	Qty.
1	37555	WLDMT-OUTER AXLE	1
2	66495	BOLT-HEX: .75 X 2.75 NC GR8 YZP	8
3	35132	WASHER-FLAT: SAE .75 GR8 YZP	16
4	66501	NUT-HEX: .75 NC GR8 YZP	8
5	37530	BOLT-HEX: 1.25 X 3.50 NC GR8 YZP	2
6	66499	WASHER-FLAT: SAE 1.25 GR8 YZP	4
7	37531	NUT-HEX: 1.25 NC GR8 YZP	2
8	1016718	BOLT-HEX: .75 X 6.50 NC GR5 ZP	1
9	1017000	NUT-TOPLOCK: .75N NC GR5 ZP	1
10	37731	PLATE-TOOLBOX MOUNT	1
11	37600	TIRE-MNTD: 620/70R42 RH-16" OS (5250)	2
	37602	TIRE-620/70R42	
	37603	WHEEL-R42 X 20 WIDE - 16" OFFSET (SILVER)	
12	37601	TIRE-MNTD: 620/70R42 LH-16" OS (5250)	2
	37602	TIRE-620/70R42	
	37603	WHEEL-R42 X 20 WIDE - 16" OFFSET (SILVER)	
13	37314	HUB-5250	1
14	72977	CUP-INNER	1
15	72978	CUP-OUTER	1
16	72979	CONE-INNER	1
17	72980	CONE-OUTER	1
18	72981	CAP-HUB	1
19	37739	NUT-FLANGE LUG .875 NF	10
20	37766	STUD-WHEEL .875 X 3.41 GR8 NF	10
21	72972	SEAL-10 BOLT HUB	1
22	330076	SPINDLE-4.50 HR C 1045	1
23	320163	NUT-HEX: 2.00 NF NP	1
24	320164	WASHER-FLAT: 4.00 X 2.03	1
25	37309	ASSY-HUB/SPINDLE (INCLUDES ITEMS 13-24)	1
26	331031	TIRE-MNTD: RH 800/70R38 173A8 LI (SILVER)	1
	331032	TIRE-MNTD: LH 800/70R38 173A8 LI (SILVER) (NOT SHOWN)	1
	331035	TIRE-800/70R38 LI 178A8	
	331036	WHEEL-R38 X 27 WIDE 2.76 INSET (SILVER)	
27	320321	GASKET-RUBBER (13.19 HUB)	1



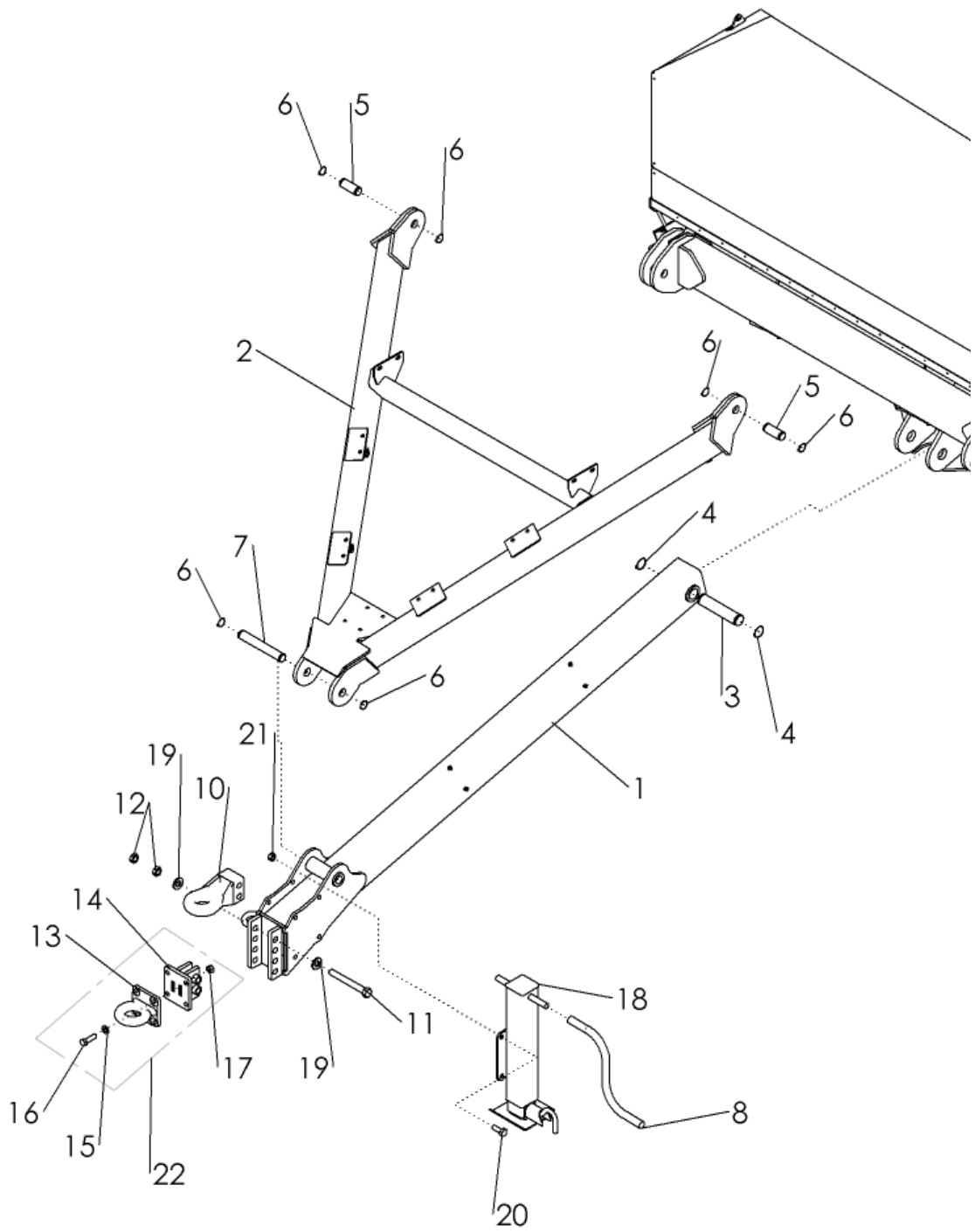
M6142-A

3800 SINGLE TIRE

Ref.	Part No.	Description	Qty.
	331031	TIRE-MNTD: RH 800/70R38 173A8 LI (SILVER)	1
	331032	TIRE-MNTD: LH 800/70R38 173A8 LI (SILVER)	
1	331036	WHEEL- R38 X 27 WIDE 2.76 INSET (SILVER)	1
2	331035	TIRE-800/70R38 LI 173A8	1

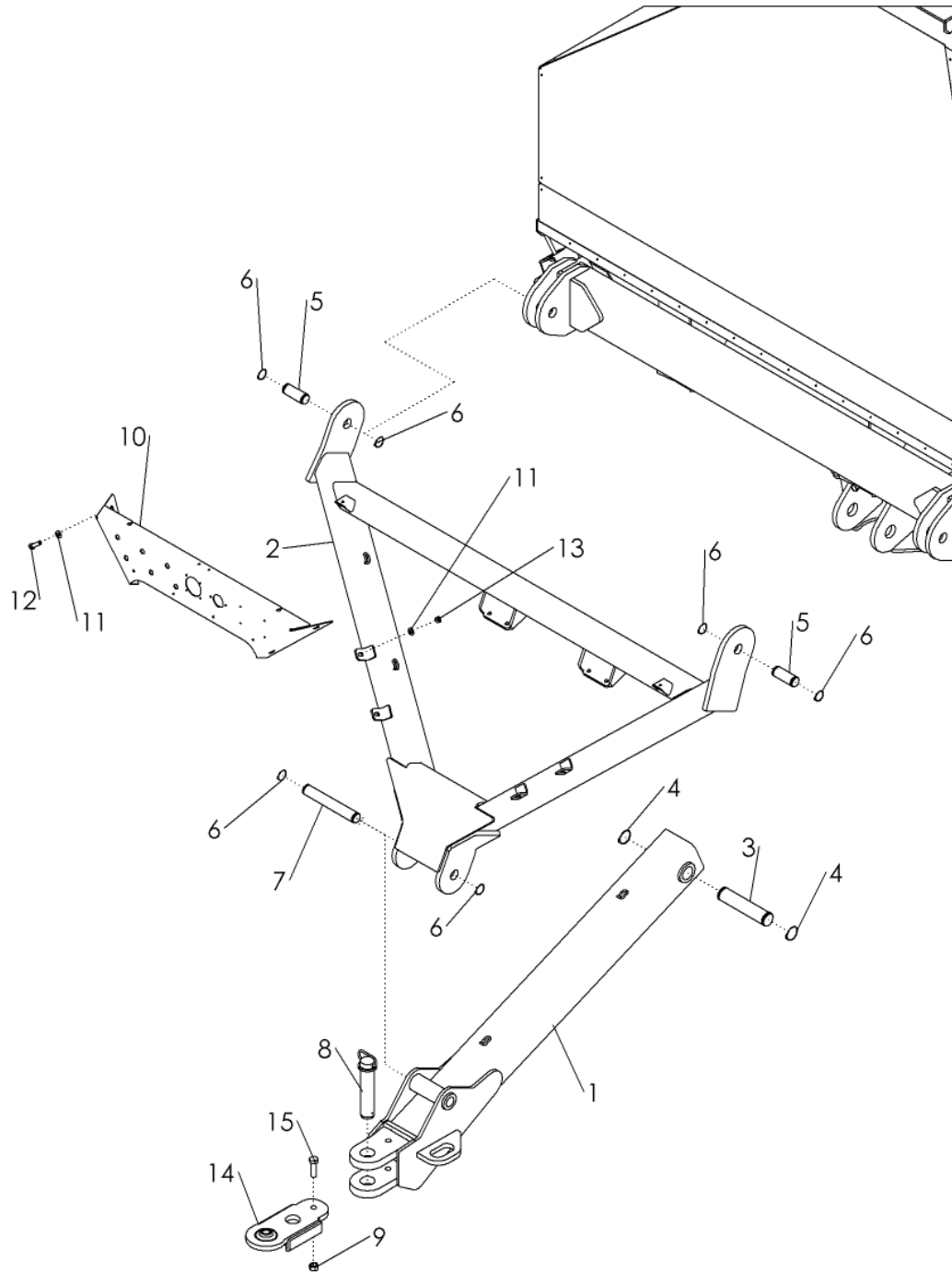
5250 DUAL TIRE

Ref.	Part No.	Description	Qty.
	37600	TIRE-MNTD: 620/70R42 RH-16" OS	2
	37601	TIRE-MNTD: 620/70R42 LH-16" OS	2
3	37603	WHEEL-R42 X 20 WIDE - 16" OFFSET (SILVER)	1
4	37602	TIRE-620/70R42 166A8	1



ASSY-FRONT HITCH

Ref.	Part No.	Description	Qty.
1	37535	WLDMT-FRONT HITCH LOWER	1
2	37540	WLDMT-FRONT HITCH UPPER	1
3	330350	PIN-HITCH 2.00	1
4	330333	SNAP RING 2.00 EXTERNAL HD YZP	2
5	330352	PIN-HITCH 1.50 X 5.00	2
6	330332	SNAP-RING 1.500 EXTERNAL HD YZP	6
7	330351	PIN-HITCH 1.50 LONG	1
8	330014	HANDLE-10K JACK W/HRDWR (BLACK)	1
9	36223	SAFETY CHAIN #80000 (NOT SHOWN)	1
10	66053	HITCH PERFECT CAT 4 PAINTED (USED ON TOW BETWEEN)	1
11	1033376	BOLT-HEX: 1.00 X 8.50 NC GR8 ZP	2
12	1026880	NUT-HEX JAM: 1.00 NC GR2 ZP	2
13	64200	HITCH-PINTLE PAINTED	1
14	35640	WLDMT-PINTLE HITCH	1
15	35132	WASHER-FLAT: SAE .75 GR8 YZP	8
16	62096	BOLT-HEX: .75 X 2.50 NC GR8 YZP	4
17	1011434	NUT-TOPLOCK: .75 NC GR8 YZP	4
18	330004	WLDMT-JACK 10K	1
19	1030728	WASHER-FLAT: SAE 1.00 GR8 YZP	4
20	1012060	BOLT-HEX: .75 X 2.00 NC GR5 ZP	4
21	1017000	NUT-TOPLOCK: .75 NC GR5 ZP	4
22	36062	KIT-PINTLE ADAPTER 5250 (USED ON TOW BEHIND)	1

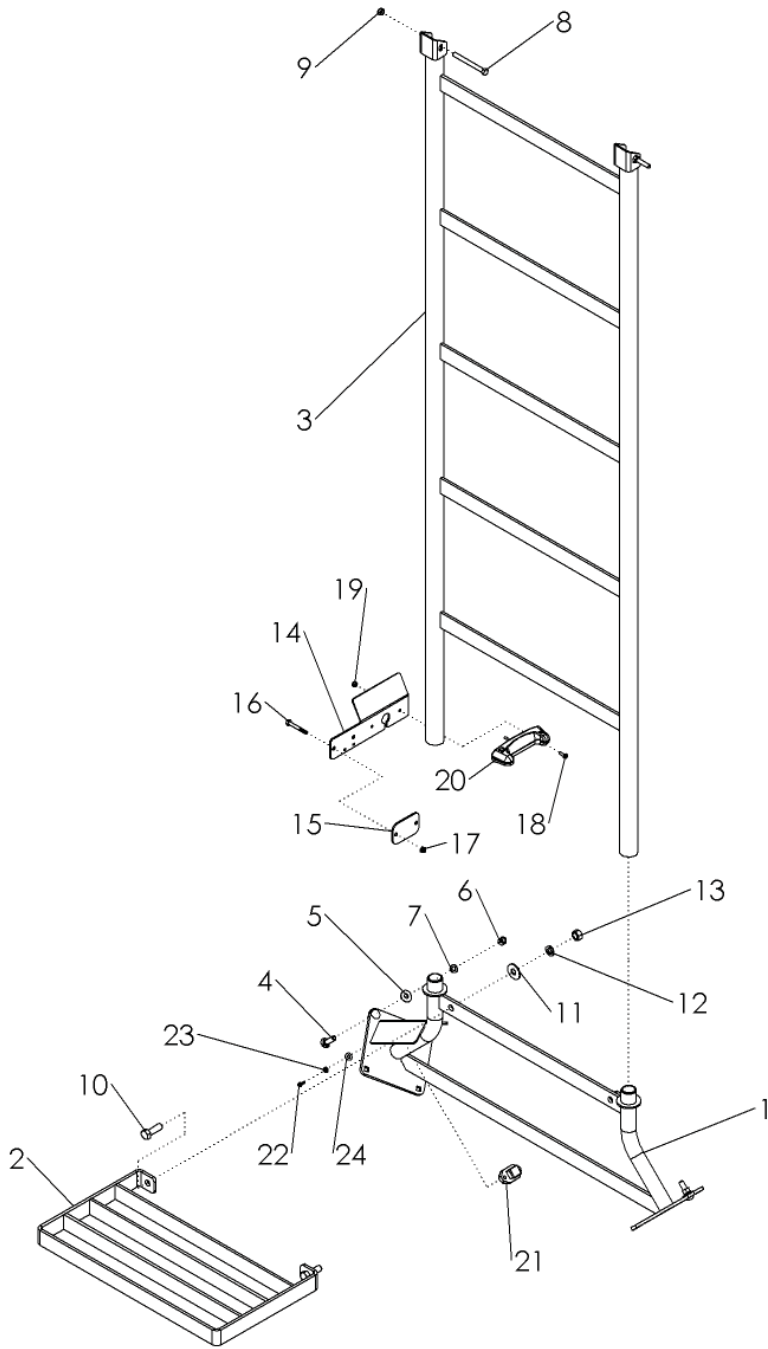


M6106

ASSY-REAR HITCH

Ref.	Part No.	Description	Qty.
1	37513	WLDMT-REAR HITCH LOWER	1
2	37521	WLDMT-REAR HITCH SUPPORT	1
3	330350	PIN-HITCH 2.00 ZP	1
4	330333	SNAP-RING 2.000 EXTERNAL HD YZP	2
5	330352	PIN-HITCH 1.50 X 5.00 ZP	2
6	330332	SNAP-RING 1.500 EXTERNAL HD YZP	6
7	330351	PIN-HITCH 1.50 LONG ZP	1
8	37209	PIN-HITCH 2.0 X 8.5 W/HANDLE	1
9	1011434	NUT-TOPLOCK: .75 NC GR8 ZP	1
10	37528	PLATE-HOSE HOLDER	1
11	1011584	WASHER-FLAT: SAE .50 ZP	8
12	1011607	BOLT-HEX: .50 X 1.50 NC GR5 ZP	4
13	1027461	NUT-TOPLOCK: .50 NC GR5 ZP	4
14	37808	WLDMT-5250 UNI BALL ADAPTER	1
15	62096	BOLT-HEX: .75 X 2.50 NC GR8 ZP	1

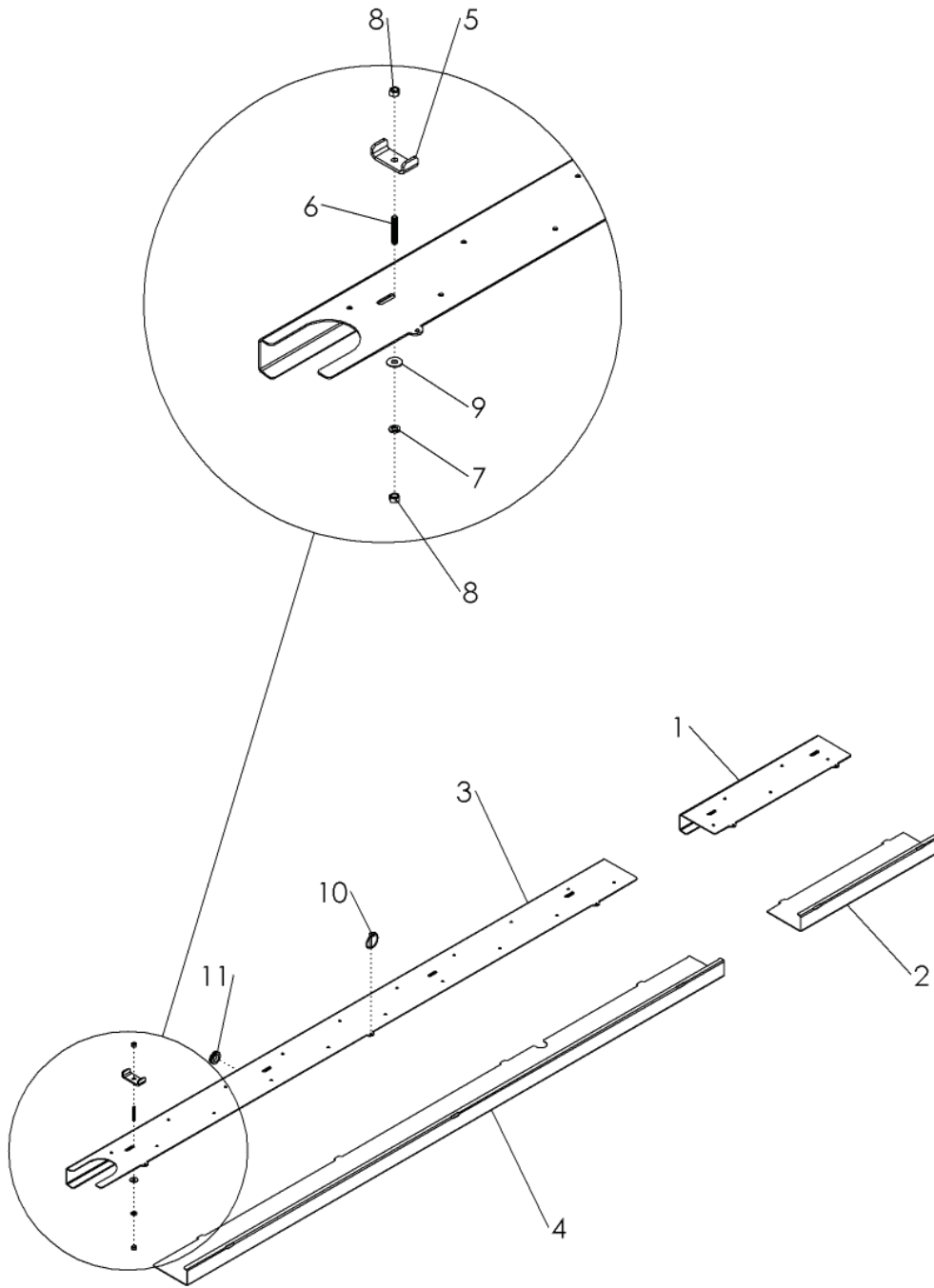
ITEMS 8, 9, 14, 15 ARE USED WITH TOW BEHIND OPTION



M6107-B

ASSEMBLY-TANK LADDERS

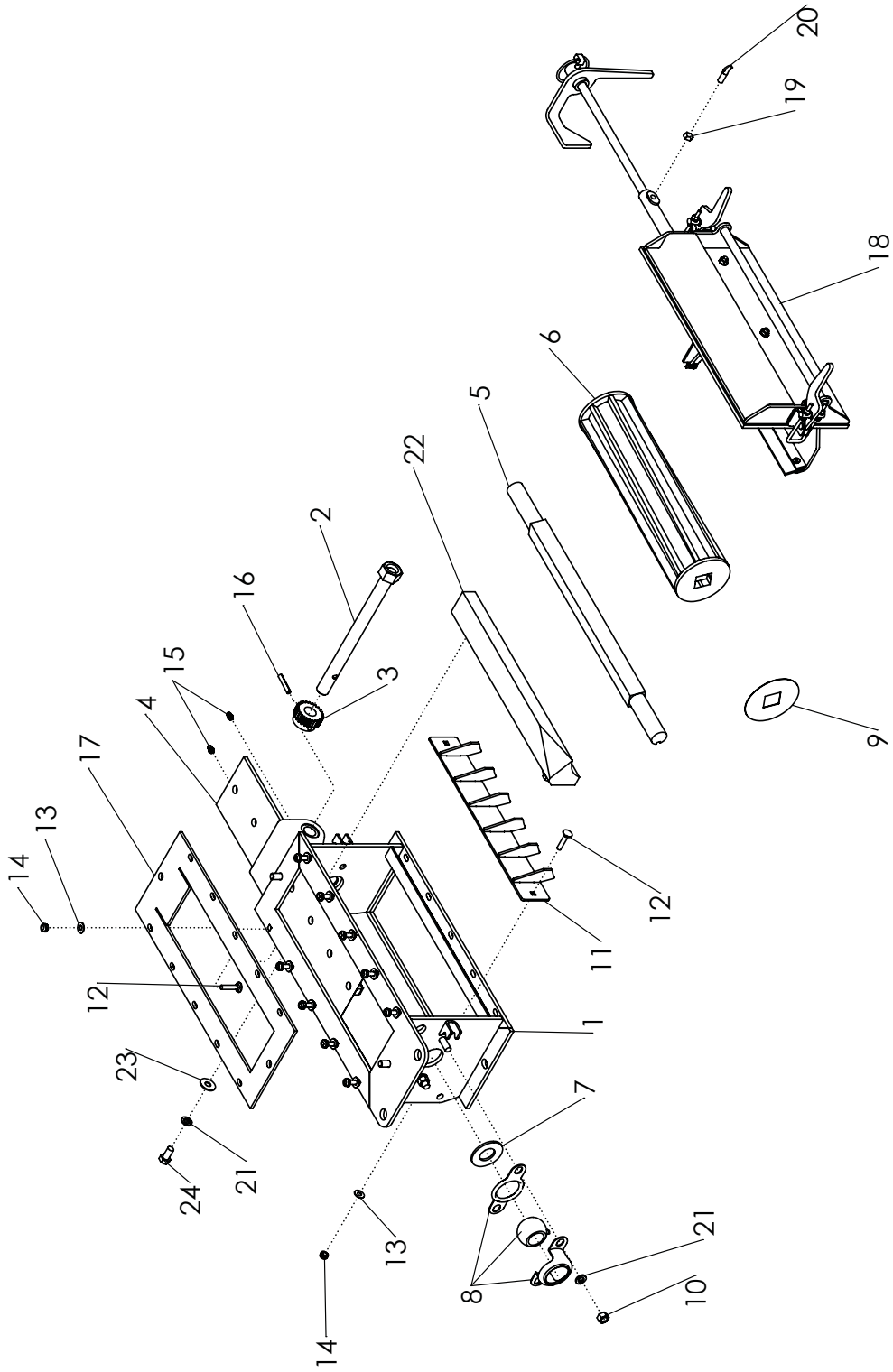
Ref.	Part No.	Description	Qty.
1	37481	WLDMT-LOWER LADDER	1
2	37148	WLDMT-LADDER PLATFORM	1
3	37482	WLDMT-UPPER LADDER (5250)	1
	331037	WLDMT-UPPER LADDER (3800)	
4	37357	BOLT-CRG:SS .38 X 1.50 NC	2
5	65778	WASHER-FLAT: SS .38	2
6	1032089	NUT-HEX:SS .38 NC	2
7	65706	WASHER-LOCK:SS .38	2
8	37495	BOLT-HEX: SS .31 X 3.50	2
9	37494	NUT-NYLOCK: SS .31 NC	2
10	37763	BOLT-HEX:SS .50 X 1.50 NC	2
11	37356	WASHER-FLAT:SS .50	2
12	37355	WASHER-LOCK:SS .50	2
13	1032090	NUT-HEX:SS .50 NC	2
14	65836	MOUNT-BIN LEVEL SENSOR	1
15	65837	PLATE-BOLTING	1
16	65838	BOLT-HEX: SS .25 X 2.00 NC GR5	2
17	1033269	NUT-NYLOCK: SS .25 NC GR2	2
18	65839	SCREW-P-H: #10 X .75 NC SS	2
19	65712	NUT-NYLOCK: #10-24 SS	2
20	66509	BIN LEVEL SENSOR	1
21	37034	HARNESS-TANK BULKHEAD	3
22	37492	BOLT-HEX: SS M5-0.8 X 16MM NC	6
23	65696	WASHER-LOCK: SS .25	6
24	65695	WASHER-FLAT: SS .25	6



M6108-B

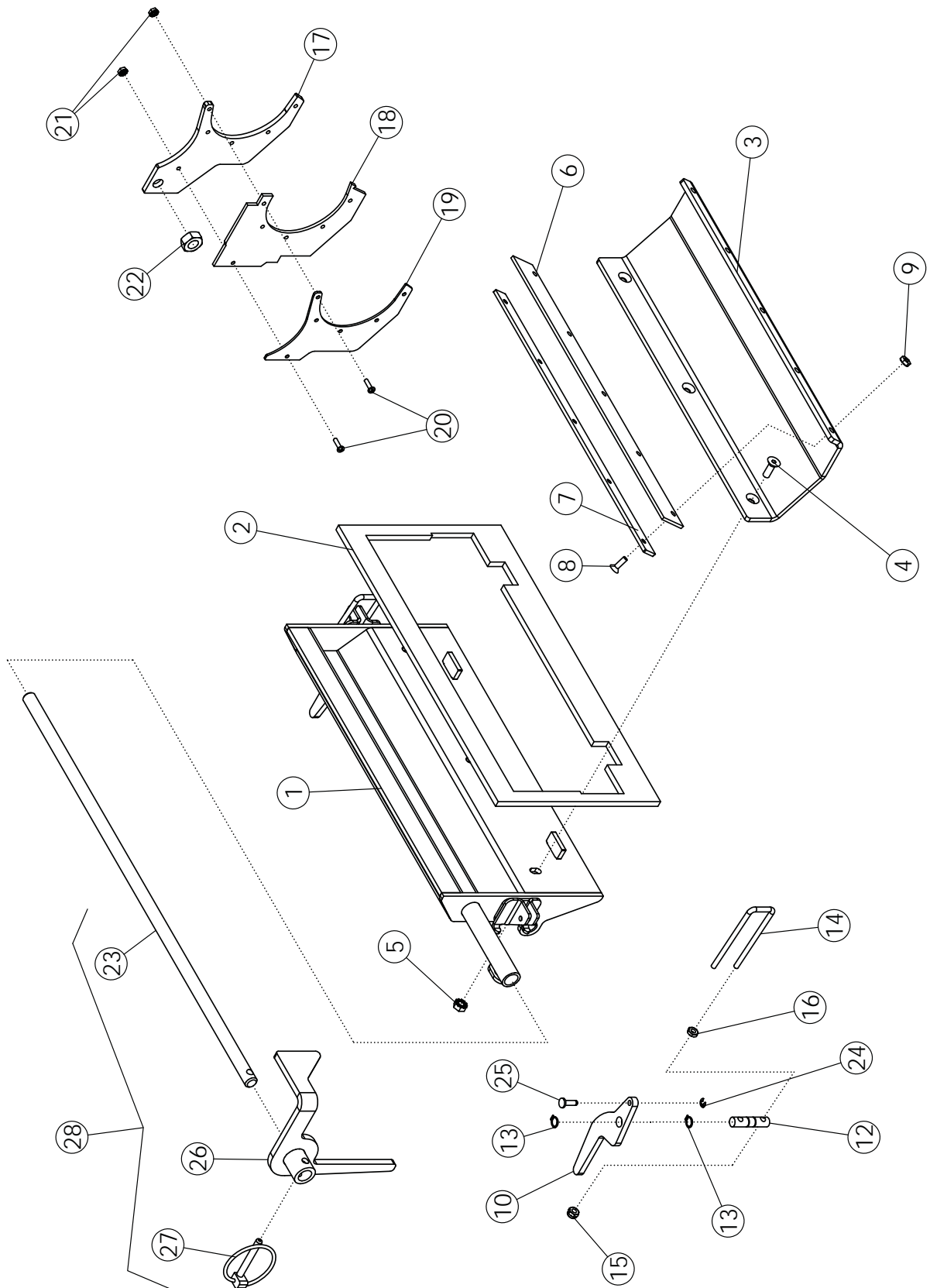
ASSEMBLY-WIRE MOUNT & SHIELD

Ref.	Part No.	Description	Qty.
1	330845	SHEET-WIRE MOUNT REAR	1
2	330846	SHEET-WIRE SHIELD REAR	1
3	330843	SHEET-WIRE MOUNT FRONT	1
4	330844	SHEET-WIRE SHIELD FRONT	1
5	50714	CLAMP .50 ZP	6
6	330045	STUD-.375-16 X 2.00 ZP	6
7	1011586	WASHER-LOCK: .38 ZP	6
8	1011576	NUT-HEX: .38 NC GR2 ZP	12
9	1011828	WASHER-FLAT: .38 ZP	6
10	63511	PIN-LYNCH: .25 X 1.563	5
11	330091	GROMMET-RUBBER 1.00 ID	1



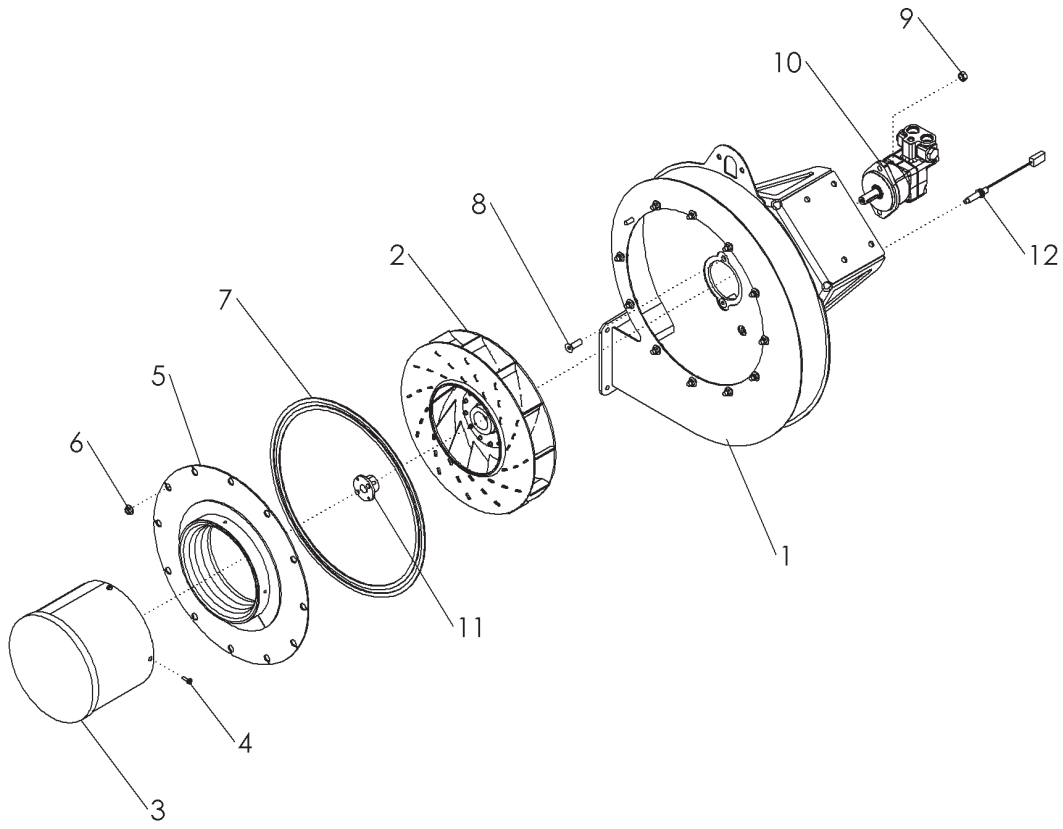
ASSY-METER BOX

Ref.	Part No.	Description	Qty.
1	67242	WLDMT-METER BOX FLAT BOTTOM	1
2	65630	BOLT-SS PIN ADJUSTMENT	1
3	65707	PINION-SS	1
4	65632	WLDMT-TOP SLIDE IN DOOR	1
5	34813	SHAFT-METER ROLL	1
6	65705	WLDMT-METER ROLL - HIGH VOLUME	1
	1012608	WLDMT-METER ROLL - MEDIUM VOLUME	
	33851	WLDMT-METER ROLL - LOW VOLUME	
	67639	WLDMT-METER ROLL - FINE PRODUCT	
7	1012978	WASHER-RUBBER	2
8	1012986	BEARING-FLANGE/A	2
9	65744	PLATE-METER ROLL SPACER	AR
10	1032089	NUT-HEX: SS .38 NC	4
11	67484	WLDMT-MB AIR DAM	1
12	66043	BOLT-CRG: SS .250 X 1.25 NC	12
13	65695	WASHER-FLAT: SS .25	12
14	1033269	NUT-NYLOCK: SS .25 NC GR2	12
15	1011748	ZERK-GREASE	2
16	1021512	PIN-ROLL: .25 X 1.38 ZP	1
17	65512	GASKET-SEEDBOX	1
18	66306	ASSY-MB DOOR	1
19	1023719	NUT-JAM: SS .31 NC	1
20	66316	SCREW-THUMB SP HEAD .313-18 X .75 SS	1
21	65706	WASHER-LCOK: SS .38	6
22	66062	BLOCK METER TOP	1
23	66375	BOLT-HEX: SS .38 X .75 NC	2
24	65778	WASHER-FLAT: SS .38	2



ASSY-METER BOX DOOR

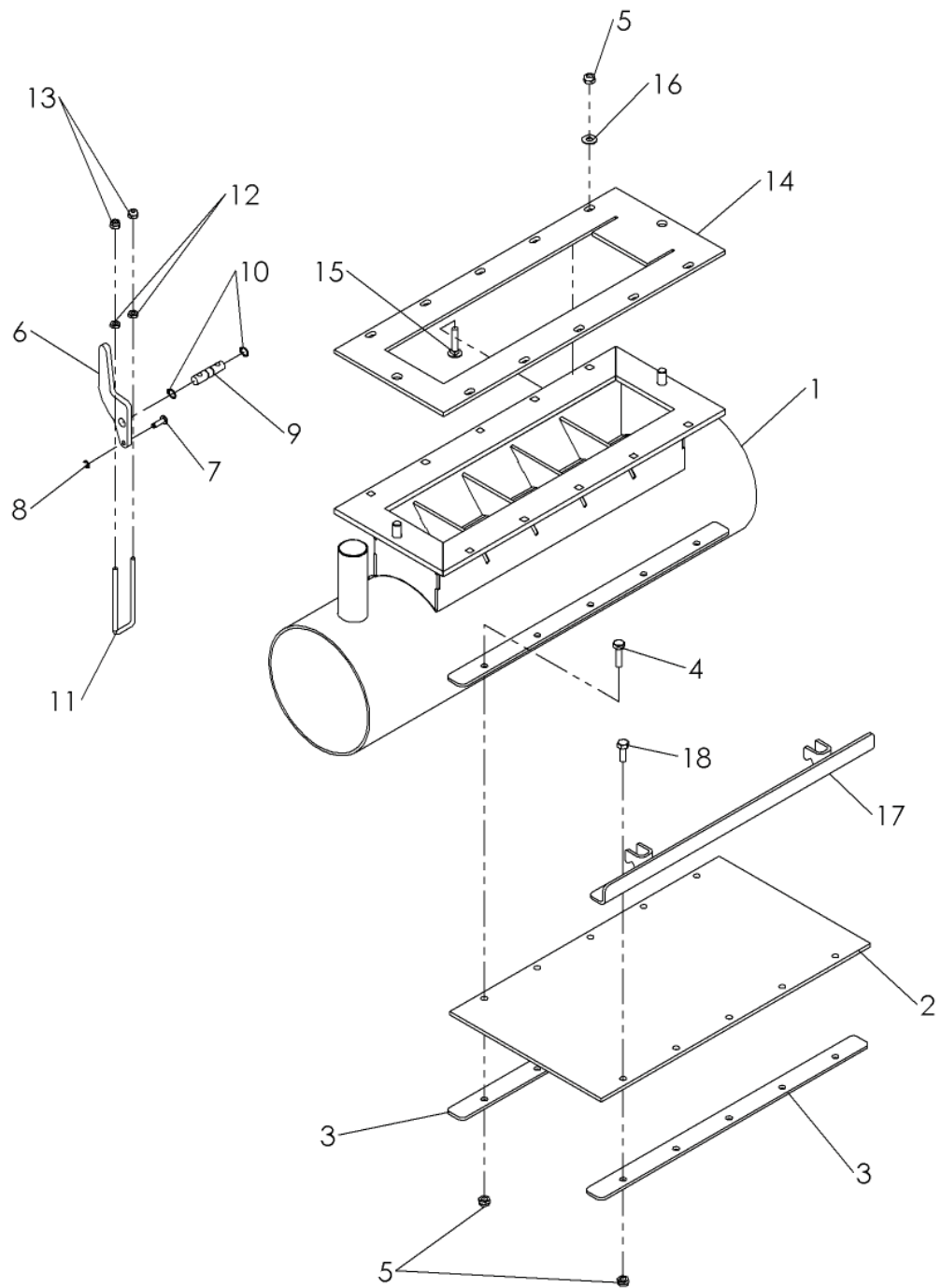
Ref.	Part No.	Description	Qty.
1	66305	WLDMT-MB DOOR	1
2	66344	GASKET-RUBBER MB DOOR	1
3	66300	PLATE-MB SEED TRAY	1
4	66347	SCREW F-H-S-C: .25 X .75 NC SS	3
5	66348	NUT-K-LOCK: .25 NC SS	3
6	66345	WIPER RUBBER	1
7	66310	SHEET-MB WIPER MOUNT	1
8	1032095	SCREW-F-H-S-C: .19 X .625 NC SS	5
9	1032059	NUT-K-LOCK: 18-8 SS .19 NC	5
10	65640	PLATE-METER CLAMP HANDLE	2
12	65639	SHAFT-METER LATCH	2
13	67499	RING-RETAINING .375 SS	4
14	65655	U-BOLT: SS .188 X 3.25 X .875 X 3.25	2
15	65712	NUT-NYLOCK: 10-24 GR2 SS	4
16	65348	NUT-HEX: SS 10-24	4
17	66307	PLATE-MB FLOW CONTROL	1
18	66346	SEAL-RUBBER FLOW CONTROL	1
19	66309	PLATE-MB FLOW CONTROL	1
20	1032093	SCREW-P-H: #6 X .50 NC SS	6
21	1032094	NUT-K-LOCK: 18-8 SS .19 NC	6
22	1032190	NUT-JAM: .50 NC SS	1
23	65661	ROD-FLOW CONTROL	1
24	67498	E-CLIP: .188 SS	2
25	67497	PIN-METER LATCH	2
26	65662	WLDMT-INDICATOR	1
27	65311	PIN-LYNCH: .25 X 1.563	1
28	65651	ASSY-FLOW CONTROL ROD	1



M6029-A

ASSY-BLOWER (330470)

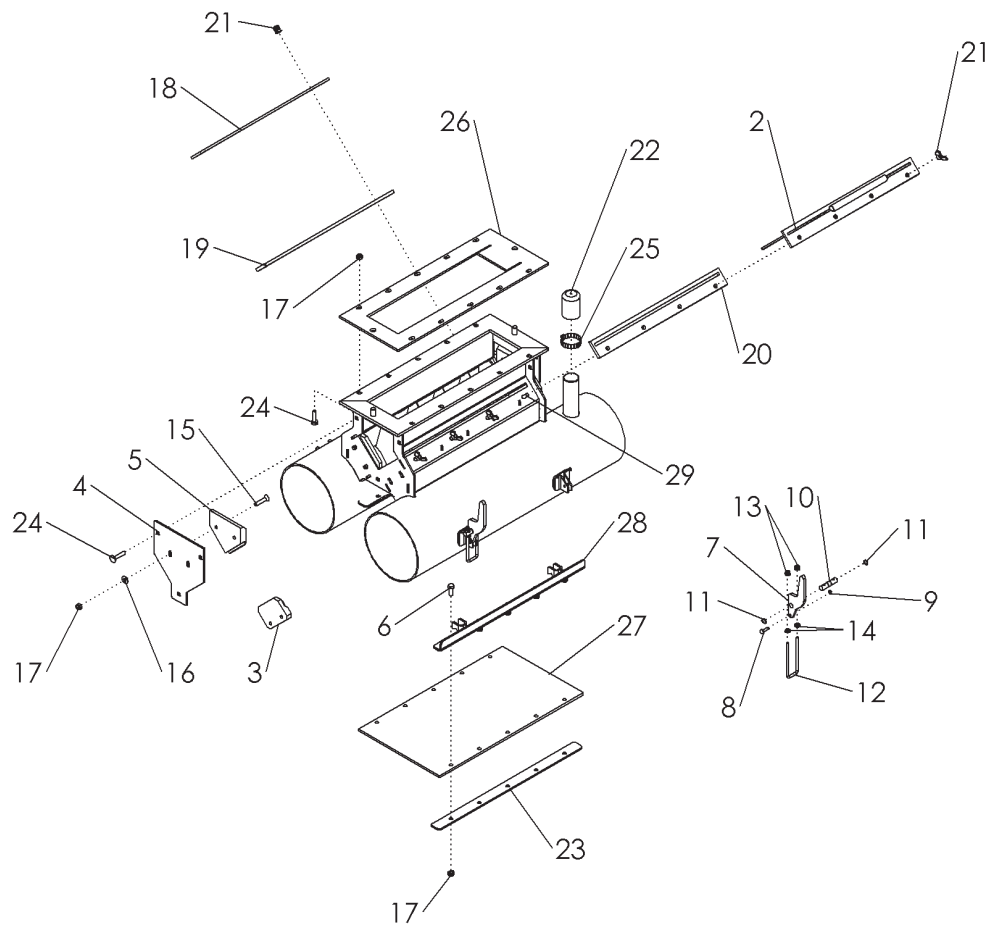
Ref.	Part No.	Description	Qty.
1	330443	WLDMT-NARROW HOUSING	1
2	330415	ROTOR-REM RT176CW BALANCED	1
3	330416	SCREEN-INLET REM RT176CW	1
4	63671	BOLT-FLANGE: .25 X 1.00 NC GR5 ZP LOCK	4
5	330560	WLDMT-BELL INLET REM RT176CW FLUSH	1
6	330419	NUT-FLANGE SERR .38 NC ZP GR2 LG	12
7	330418	NEOPRENE 1/8 X 3/8	10.5'
8	1011607	BOLT-HEX: .50 X 1.50 NC GR5 ZP	2
9	1027461	NUT-TOPLOCK: .50 NC GR5 ZP	2
10	66244	MOTOR-HYDRAULIC W/CHECK PAINTED	1
	66752	SEAL-MOTOR SHAFT	
	1021978	SEAL KIT: HYD MOTOR	
	330499	KEY-6MM X 6MM X 35MM ROUNDED	
11	330381	BUSING-SPLIT TAPER H X 20 MM W/HDRWR	1
12	66510	SENSOR-FAN SPEED	1



M6131-A

ASSY-SINGLE AIRSTREAM

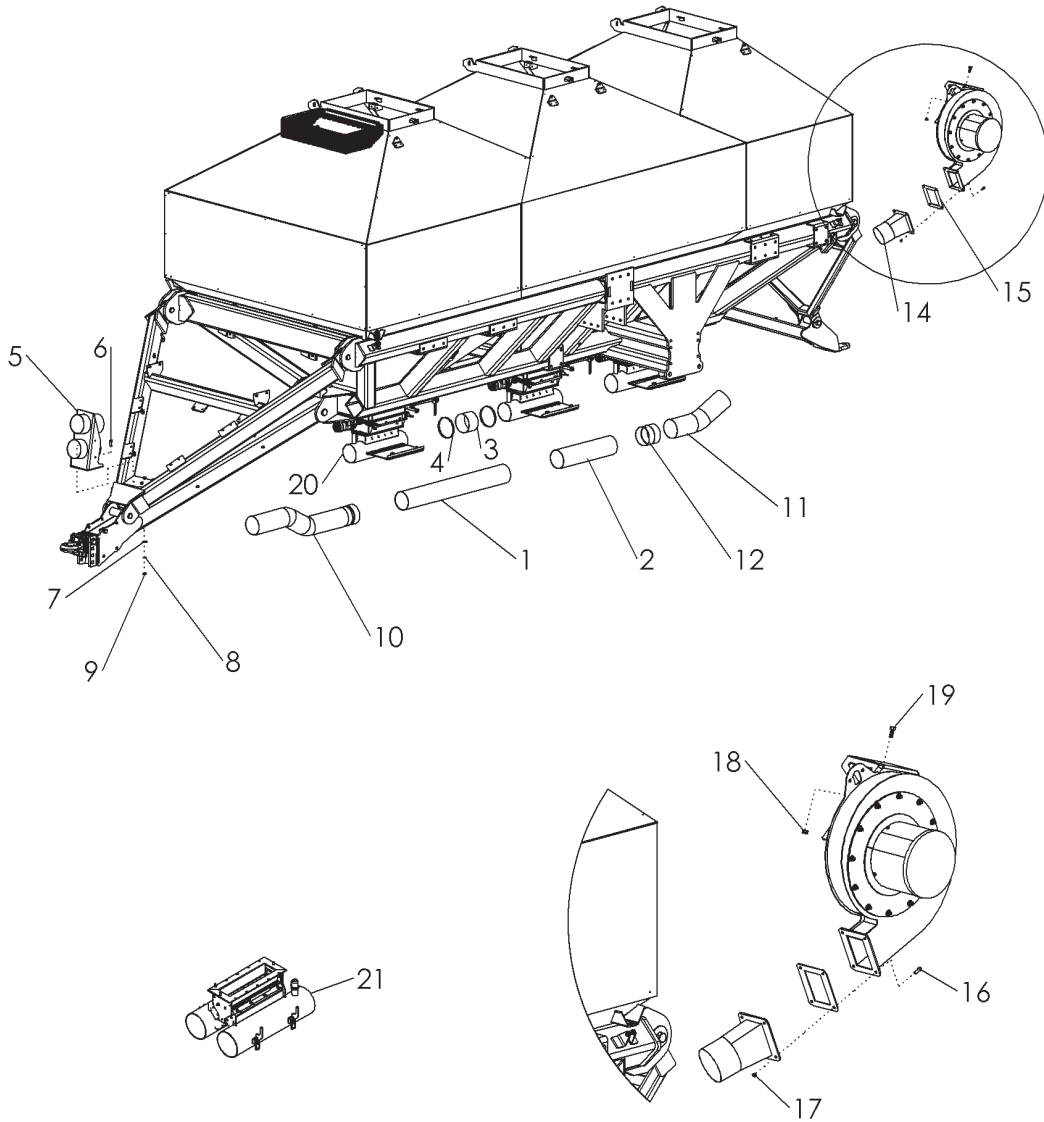
Ref.	Part No.	Description	Qty.
1	330359	WLDMT-SINGLE STREAM TUBE 6"	1
2	65708	RUBBER-CLEANOUT DOOR	1
3	65629	PLATE-CLEANOUT RETAINER	2
4	66077	BOLT-HEX: SS .25 X 1.00 NC	5
5	1033269	NUT-NYLOCK: SS .25 CH GR2	20
6	65640	PLATE-METER CLAMP HANDLE	2
7	67497	PIN-METER CLAMP HANDLE	2
8	67498	E-CLIP .188 SS	2
9	65639	SHAFT-METER LATCH	2
10	67499	RING-RETAINING .375 SS	4
11	65655	U-BOLT-SS: .188 X 3.25 X .875 X 3.25	2
12	65348	NUT-HEX: #10-24 SS	4
13	65712	NUT-NYLOCK: #10-24 SS	4
14	65512	GASKET-SEEDBOX	1
15	66043	BOLT-CRG: SS .25 X 1.25 NC	10
16	65695	WASHER-FLAT: SS .25	10
17	65626	WLDMT-ANGLE LATCH	1
18	1033270	BOLT-HEX: SS .25 X .75 NC	5
19	64504	SEALANT-PROGLAZE (300M/TUBE)	45ML



M6130-A

ASSY-DUAL CHUTE

Ref.	Part No.	Description	Qty.
1	330334	WLDMT-BAFFLE 6"	1
2	330033	WLDMT-BAFFLE SLIDE GATE	1
3	330027	BLOCK-BAFFLE SLIDE GATE POLY	4
4	330036	PLATE-BAFFLE END PLATE	2
5	330028	BLOCK-BAFFLE SLIDE PRESSURE POLY	2
6	1033270	BOLT-HEX: SS .25 X .75 NC	10
7	65640	PLATE-METER CLAMP HANDLE	4
8	67497	PIN-METER LATCH SS	4
9	67498	E-CLIP .188 SS	4
10	65639	SHAFT-METER LATCH	4
11	67499	RING-RETAINING .375 SS	8
12	65655	U-BOLT-SS: .188 X 3.25 X .875 X 3.25	4
13	65712	NUT-NYLOCK: #10-24 SS	8
14	65348	NUT-HEX: #10-24 SS	8
15	330300	SCREW-F-H-S-C: .25 1.25 NC SS	12
16	65695	WASHER-FLAT: .25 SS	12
17	1033269	NUT-NYLOCK: SS .25 NC GR2	38
18	330037	PLATE-BAFFLE PLUG	1
19	330324	GASKET-PLUG NEOPRENE	1
20	330323	GASKET-SLIDE GATE NEOPRENE	1
21	330046	NUT-WING: .25 SS	8
22	37624	CAP-TUBE	1
23	65629	PLATE-CLEANOUT RETAINER	4
24	66043	BOLT-CRG: SS .25 X 1.25 NC	26
25	1026358	CLAMP-HOSE: #16 .081-1.50	1
26	65512	GASKET-SEEDBOX	1
27	65708	RUBBER-CLEANOUT DOOR	2
28	65626	WLDMT-ANGLE LATCH	2
29	330031	STUD-.25 X .625 KNURLED	8
30	64504	SEALANT-PROGLAZE (300ML/TUBE)	70ML



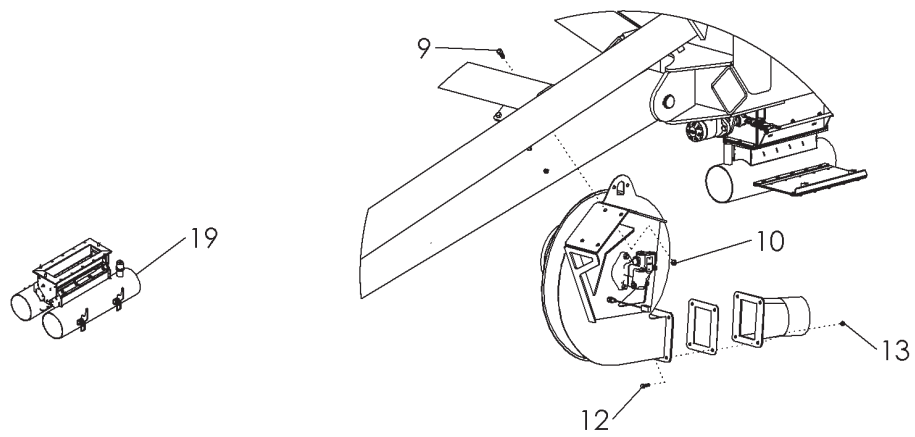
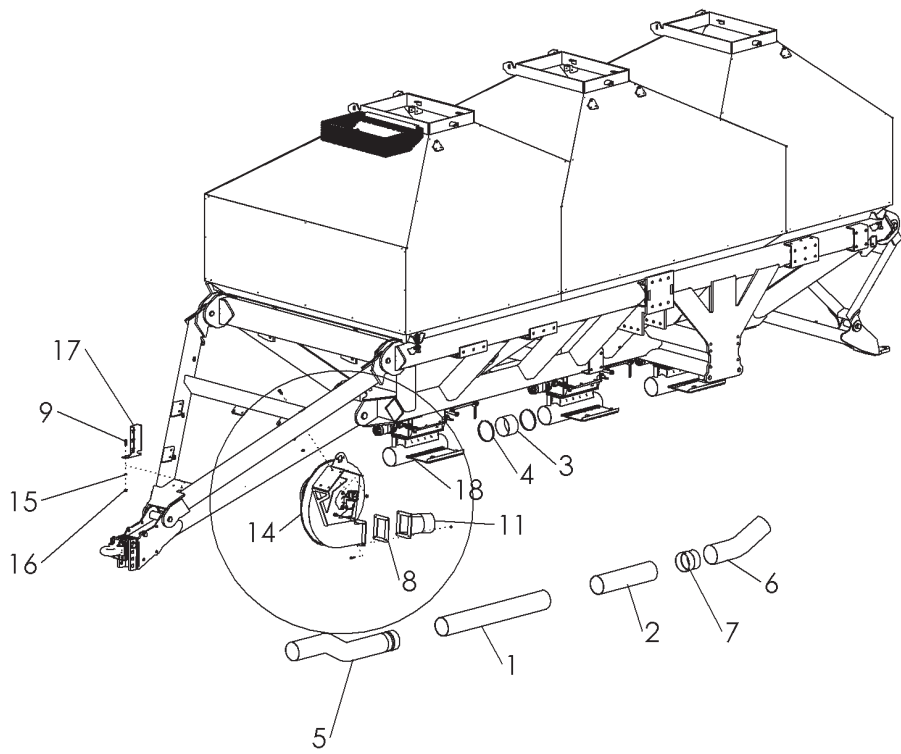
M6132-B

ASSY-SINGLE FAN TOW BEHIND

Ref.	Part No.	Description	Qty.
1	330372	TUBE-SS LONG 6"	1
2	330373	TUBE-SS SHORT 6"	1
3	330371	SLEEVE STRAIGHT RUBBER	4
4	66221	CLAMP-HOSE: #104 4.13-7.00	8
5	330374	WLDMT-6" DUAL BULKHEAD	1
6	1011607	BOLT-HEX: .50 X 1.50 NC GR5 ZP	4
7	1014443	WASHER-FLAT: .50 ZP	4
8	1011581	WASHER-LOCK: .50 NC ZP	4
9	1011577	NUT-HEX: .50 NC GR5 ZP	4
10	330392	HOSE-KANAFLEX 100 URD 6.00 X 9FT	1
11	330393	HOSE-KANAFLEX 100 URD 6.00 X 4FT	1
12	36155	CLAMP-6" SPIRAL (POWER LOCK)	4
13	330470	ASSY-AMITY BLOWER	1
14	330450	WLDMT-FAN TRANSITION	1
15	330554	GASKET-FAN TRANSITION	1
16	1011600	BOLT-HEX: .38 X 1.00 NC GR5 ZP	4
17	1016999	NUT-TOPLOCK: .38 NC GR5 ZP	4
18	1027461	NUT-TOPLOCK: .50 NC GR5 ZP	4
19	1011606	BOLT-HEX: .50 X 1.25 NC GR5 ZP	4
20	330364	ASSY-SINGLE AIR STREAM TUBE 6"	3

ASSY-DUAL FAN TOW BEHIND

Ref.	Part No.	Description	Qty.
1	330372	TUBE-SS LONG 6"	2
2	330373	TUBE-SS SHORT 6"	2
3	330371	SLEEVE STRAIGHT RUBBER	8
4	66221	CLAMP-HOSE: #104 4.13-7.00	16
5	330374	WLDMT-6" DUAL BULKHEAD	1
6	1011607	BOLT-HEX: .50 X 1.50 NC GR5 ZP	4
7	1014443	WASHER-FLAT: .50 ZP	4
8	1011581	WASHER-LOCK: .50 NC ZP	4
9	1011577	NUT-HEX: .50 NC GR5 ZP	4
10	330392	HOSE-KANAFLEX 100 URD 6.00 X 9FT	2
11	330393	HOSE-KANAFLEX 100 URD 6.00 X 4FT	2
12	36155	CLAMP-6" SPIRAL (POWER LOCK)	2
13	330470	ASSY-AMITY BLOWER	2
14	330450	WLDMT-FAN TRANSITION	2
15	330554	GASKET-FAN TRANSITION	2
16	1011600	BOLT-HEX: .38 X 1.00 NC GR5 ZP	8
17	1016999	NUT-TOPLOCK: .38 NC GR5 ZP	8
18	1027461	NUT-TOPLOCK: .50 NC GR5 ZP	8
19	1011606	BOLT-HEX: .50 X 1.25 NC GR5 ZP	8
21	330358	ASSY-DUAL AIR STREAM TUBE 6"	3



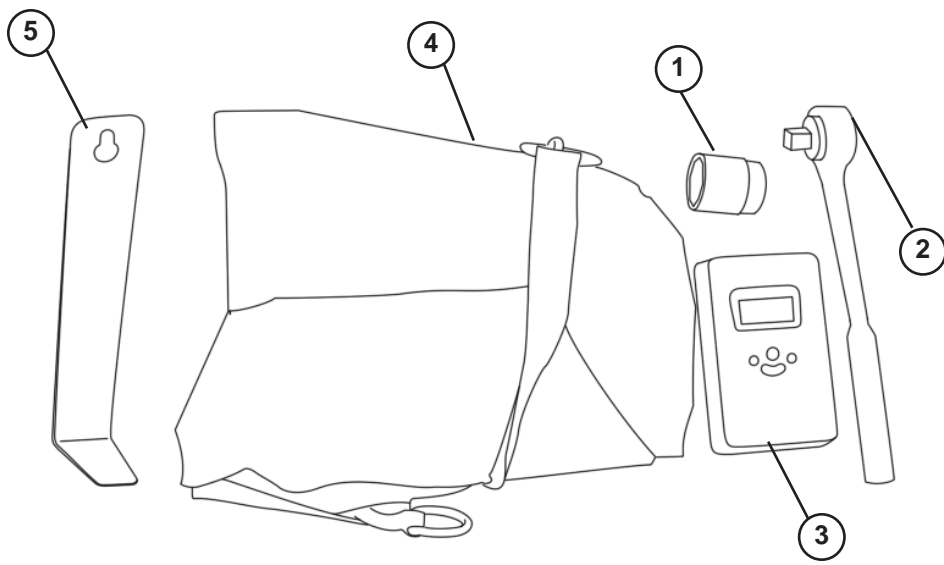
M6133-C

ASSY-SINGLE FAN TOW BETWEEN

Ref.	Part No.	Description	Qty.
1	330372	TUBE-SS LONG 6"	1
2	330373	TUBE-SS SHORT 6"	1
3	330371	SLEETVE STRAIGHT RUBBER 6"	4
4	66221	CLAMP-HOSE: #104 4.13-7.00	8
5	330393	HOSE-KANAFLEX 100 URD 6.00 X 4FT	1
6	37762	HELI-TUBE (SPIRAL CUT) #1-1/4 UR	1
7	36155	CLAMP-6" SPIRAL (POWER LOCK)	2
8	330554	GASKET-FAN TRANSITION	1
9	1011606	BOLT-HEX: .50 X 1.25 NC GR5 ZP	6
10	1027461	NUT-TOPLOCK: .50 NC GR5 ZP	4
11	330450	WLDMT-FAN TRANSITION	1
12	1011601	BOLT-HEX: .38 X 1.25 NC GR5 ZP	4
13	1016999	NUT-TOPLOCK: .38 ZP	4
14	330470	ASSY-AMITY BLOWER	1
15	1011581	WASHER-LOCK: .50 ZP	2
16	1011577	NUT-HEX: .50 NC GR5 ZP	2
17	330824	PLATE-HOSE IDENTIFIER	1
18	330364	ASSY-SINGLE AIR STREAM TUBE 6"	3

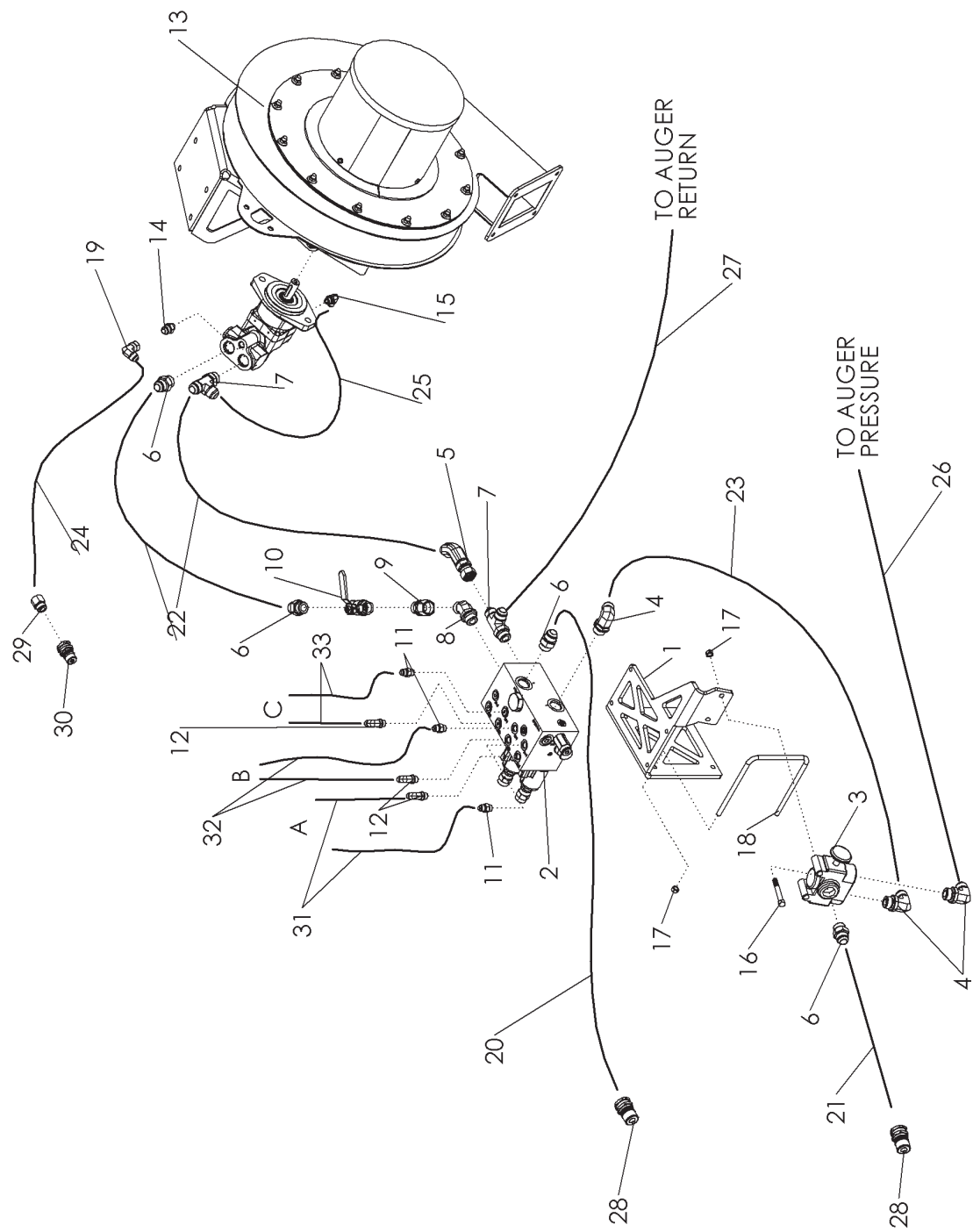
ASSY-DUAL FAN TOW BETWEEN

Ref.	Part No.	Description	Qty.
1	330372	TUBE-SS LONG 6"	2
2	330373	TUBE-SS SHORT 6"	2
3	330371	SLEETVE STRAIGHT RUBBER 6"	8
4	66221	CLAMP-HOSE: #104 4.13-7.00	16
5	330393	HOSE-KANAFLEX 100 URD 6.00 X 4FT	2
6	37762	HELI-TUBE (SPIRAL CUT) #1-1/4 UR	2
7	36155	CLAMP-6" SPIRAL (POWER LOCK)	4
8	330554	GASKET-FAN TRANSITION	2
9	1011606	BOLT-HEX: .50 X 1.25 NC GR5 ZP	10
10	1027461	NUT-TOPLOCK: .50 NC GR5 ZP	8
11	330450	WLDMT-FAN TRANSITION	2
12	1011601	BOLT-HEX: .38 X 1.25 NC GR5 ZP	8
13	1016999	NUT-TOPLOCK: .38 ZP	8
14	330470	ASSY-AMITY BLOWER	2
15	1011581	WASHER-LOCK: .50 ZP	2
16	1011577	NUT-HEX: .50 NC GR5 ZP	2
17	330824	PLATE-HOSE IDENTIFIER	1
19	330358	ASSY-BAFFLE 6" DUAL CHUTE	3



ASSY-CALIBRATION COMPONENTS

Ref.	Part No.	Description	Qty.
1	66354	SOCKET-1.125" (.50" DRIVE)	1
2	65890	RATCHET-.50" DRIVE	1
3	67641	SCALE-CALIBRATION DIGITAL	1
4	1032048	BAG-CALIBRATION KIT	1
5	35569	PLATE-WRENCH SEED DEPTH	1
6	65891	SCREWDRIVER-FLOW SENSOR (NOT SHOWN)	1



M6138-A

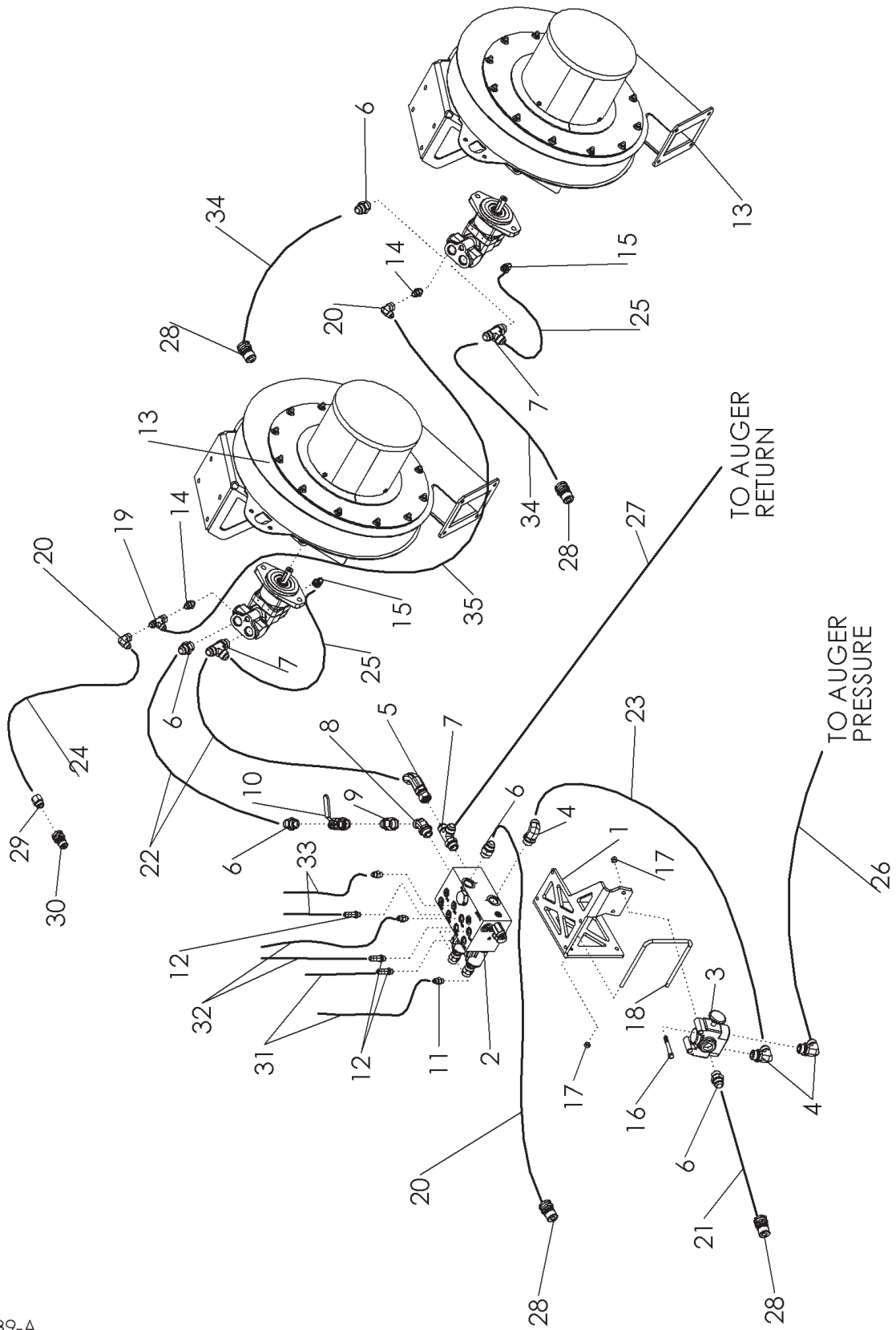
ASSY-BLOWER HYDRAULIC DRIVE SINGLE FAN TOW BEHIND

Ref.	Part No.	Description	Qty.
1	37533	PLATE-VALVE BLOCK MOUNT	1
2	66938	VALVE-VARIABLE RATE 2-BANK W/CHECK	1
	67495	ASSY-METER VALVE CARTRIDGE & COIL (NOT SHOWN)	1
3	65846	VALVE-SELECTOR PAINTED (3-WAY)	1
	65848	SEAL-O-RING	2
	33083	KNOB-SELECTOR VALVE	1
4	64060	FTG-ELBOW: 12MB-12MJ-90	3
5	62014	FTG-ELBOW: 12MJ-12FJX-45	1
6	65918	FTG-ADAPTER: 12MB-12MJ	4
7	66248	FTG-TEE: 12MB-12MJ-12MJ	2
8	63699	FTG-ELBOW: 12MB-12MJ-45	1
9	66249	FTG-ADAPTER: 12MB-12FJX	1
10	33641	VALVE-BALL 3/4 SAE	1
11	37259	FTG-ADAPTER: 6MB-6MJ	3
12	57754	FTG-ELBOW: 6MB-6MJ 90	3
13	330470	ASSY-AMITY BLOWER	1
14	62024	FTG-ADAPTER: 6MB-8MJ	1
15	66270	FTG-RESTRICTOR: 6MB-6MJ-90 .032	1
16	1013239	BOLT-HEX: .38 X 3.00 NC GR5 ZP	2
17	1016999	NUT-TOPLOCK: .38 NC GR5 ZP	6
18	37532	U-BOLT: .375 X 7.00 X 6 X 7.00 ZP	2
19	57668	FTG-ELBOW: 8MJ-8FJX-90	1
20	330094	HOSE: .75 X 132 12MB-12FJX90	1
21	37707	HOSE: .75 X 120 12MB-12FJX	1
22	37697	HOSE: .75 X 224 12FJX-12FJX90	2
23	66245	HOSE: .75 X 24 12FJX-12FJX	1
24	37701	HOSE: .50 X 348 8FJX-8MB	1
25	330077	HOSE: .50 X 2412FJX-6FJX	1
26	37332	HOSE; .50 X 382 12FJX-12FJX	1
27	37333	HOSE: .50 X 382 12FJX-12JFX90	1
28	37064	QUICK COUPLING MALE 12-12 ORB	2
29	37692	FTG-ADAPTER: 10MB-8FB	1
30	37065	QUICK COUPLING MALE 10-8 ORB	1
31	37698	HOSE: .38 X 48 6FJX-6FJX90	2
32	37699	HOSE: .38 X 113 6FJX-6FJX90	2
33	37700	HOSE: .38 X 156 6JFX-6FJX90	2

+ CASE DRAIN COUPLERS AT TRACTOR

Ref.	Part No.	Description	Qty.
34	69119	FTG-CASE DRAIN JD & CNH (NOT SHOWN)	AR
35	69120	FTG-MOTOR RETURN LINE (NOT SHOWN)	AR
36	66199	PIONEER TIP 8010-15 (NOT SHOWN)	AR
37	66961	FTG-ADAPTER: 8FB-12MB (NOT SHOWN)	AR
38	37066	QUICK COUPLING-FEMALE -12-12 ORB (NOT SHOWN)	AR
39	37067	QUICK COUPLING-FEMALE -8-10 ORB (NOT SHOWN)	AR

M6139-A

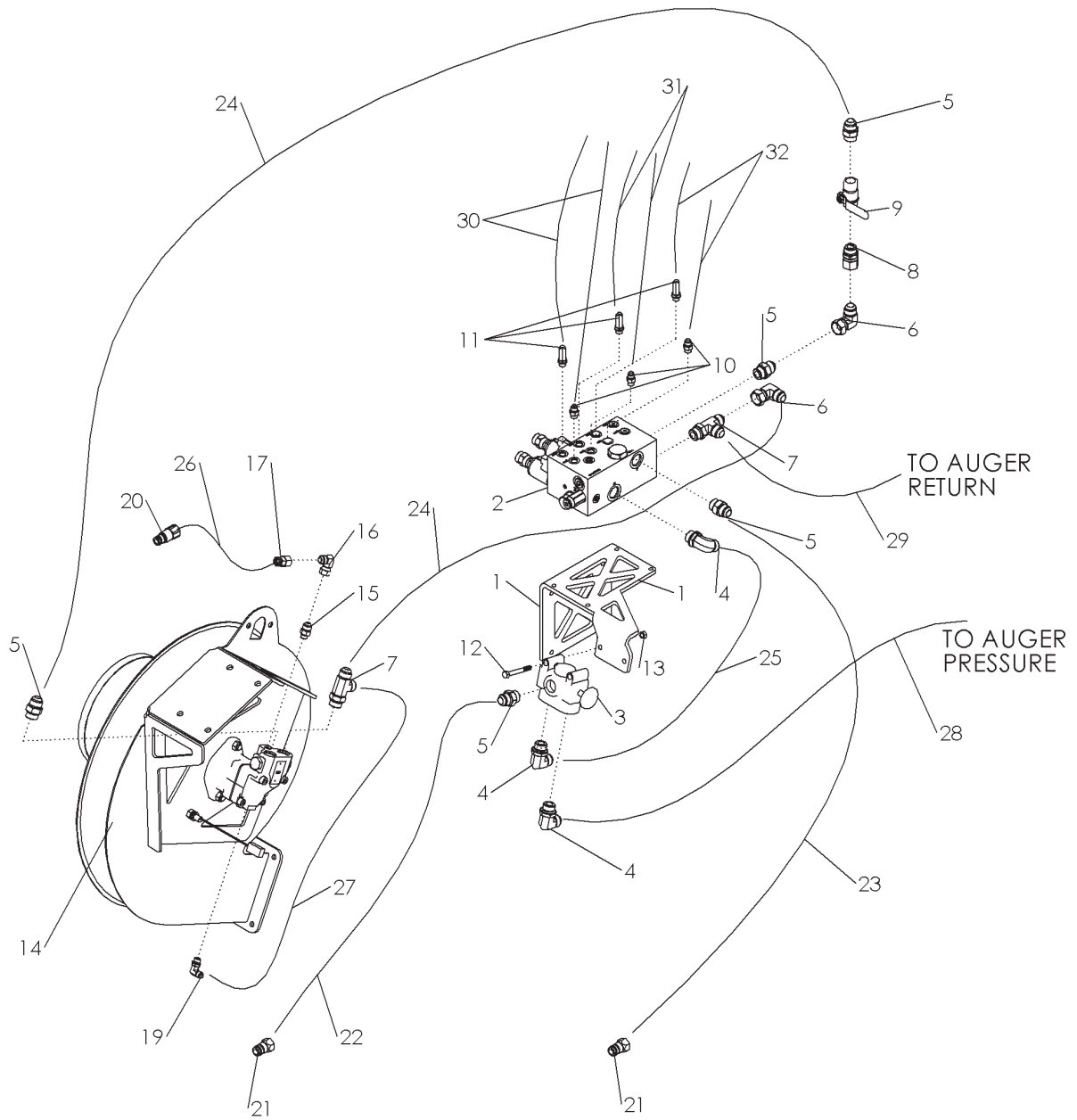


ASSY-BLOWER HYDRAULIC DRIVE DUAL FAN TOW BEHIND

Ref.	Part No.	Description	Qty.
1	37533	PLATE-VALVE BLOCK MOUNT	1
2	66938	VALVE-VARIABLE RATE 2-BANK W/CHECK	1
	67495	ASSY-METER VALVE CARTRIDGE & COIL (NOT SHOWN)	1
3	65846	VALVE-SELECTOR PAINTED (3-WAY)	1
	65848	SEAL-O-RING	2
	33083	KNOB-SELECTOR VALVE	1
4	64060	FTG-ELBOW: 12MB-12MJ-90	3
5	62014	FTG-ELBOW: 12MJ-12FJX-45	1
6	65918	FTG-ADAPTER: 12MB-12MJ	5
7	66248	FTG-TEE: 12MB-12MJ-12MJ	3
8	63699	FTG-ELBOW: 12MB-12MJ-45	1
9	66249	FTG-ADAPTER: 12MB-12FJX	1
10	33641	VALVE-BALL 3/4 SAE	1
11	37259	FTG-ADAPTER: 6MB-6MJ	3
12	57754	FTG-ELBOW: 6MB-6MJ 90	3
13	330470	ASSY-AMITY BLOWER	2
14	62024	FTG-ADAPTER: 6MB-8MJ	2
15	66270	FTG-RESTRICTOR: 6MB-6MJ-90 .032	2
16	1013239	BOLT-HEX: .38 X 3.00 NC GR5 ZP	2
17	1016999	NUT-TOPLOCK: .38 NC GR5 ZP	6
18	37532	U-BOLT: .375 X 7.00 X 6 X 7.00 ZP	2
19	57668	FTG-ELBOW: 8MJ-8FJX-90	2
20	330094	HOSE: .75 X 132 12MB-12FJX90	1
21	37707	HOSE: .75 X 120 12MB-12FJX	1
22	37697	HOSE: .75 X 224 12FJX-12FJX90	2
23	66245	HOSE: .75 X 24 12FJX-12FJX	1
24	37701	HOSE: .50 X 348 8FJX-8MB	1
25	330077	HOSE: .50 X 20 12FJX-6FJX	2
26	37332	HOSE; .50 X 382 12FJX-12FJX	1
27	37333	HOSE: .50 X 382 12FJX-12JFX90	1
28	37064	QUICK COUPLING MALE 12-12 ORB	2
29	37692	FTG-ADAPTER: 10MB-8FB	1
30	37065	QUICK COUPLING MALE 10-8 ORB	1
31	37698	HOSE: .38 X 48 6FJX-6FJX90	2
32	37699	HOSE: .38 X 113 6FJX-6FJX90	2
33	37700	HOSE: .38 X 156 6JFX-6FJX90	2
34	37702	HOSE: .75 X 348 12FJX90-12MB	2
35	330435	HOSE: .50 X 044 8FJX-8FJX90	1

+ CASE DRAIN COUPLERS AT TRACTOR

Ref.	Part No.	Description	Qty.
36	69119	FTG-CASE DRAIN JD & CNH (NOT SHOWN)	AR
37	69120	FTG-MOTOR RETURN LINE (NOT SHOWN)	AR
38	66199	PIONEER TIP 8010-15 (NOT SHOWN)	AR
39	66961	FTG-ADAPTER: 8FB-12MB (NOT SHOWN)	AR
40	37066	QUICK COUPLING-FEMALE -12-12 ORB (NOT SHOWN)	AR
41	37067	QUICK COUPLING-FEMALE -8-10 ORB (NOT SHOWN)	AR



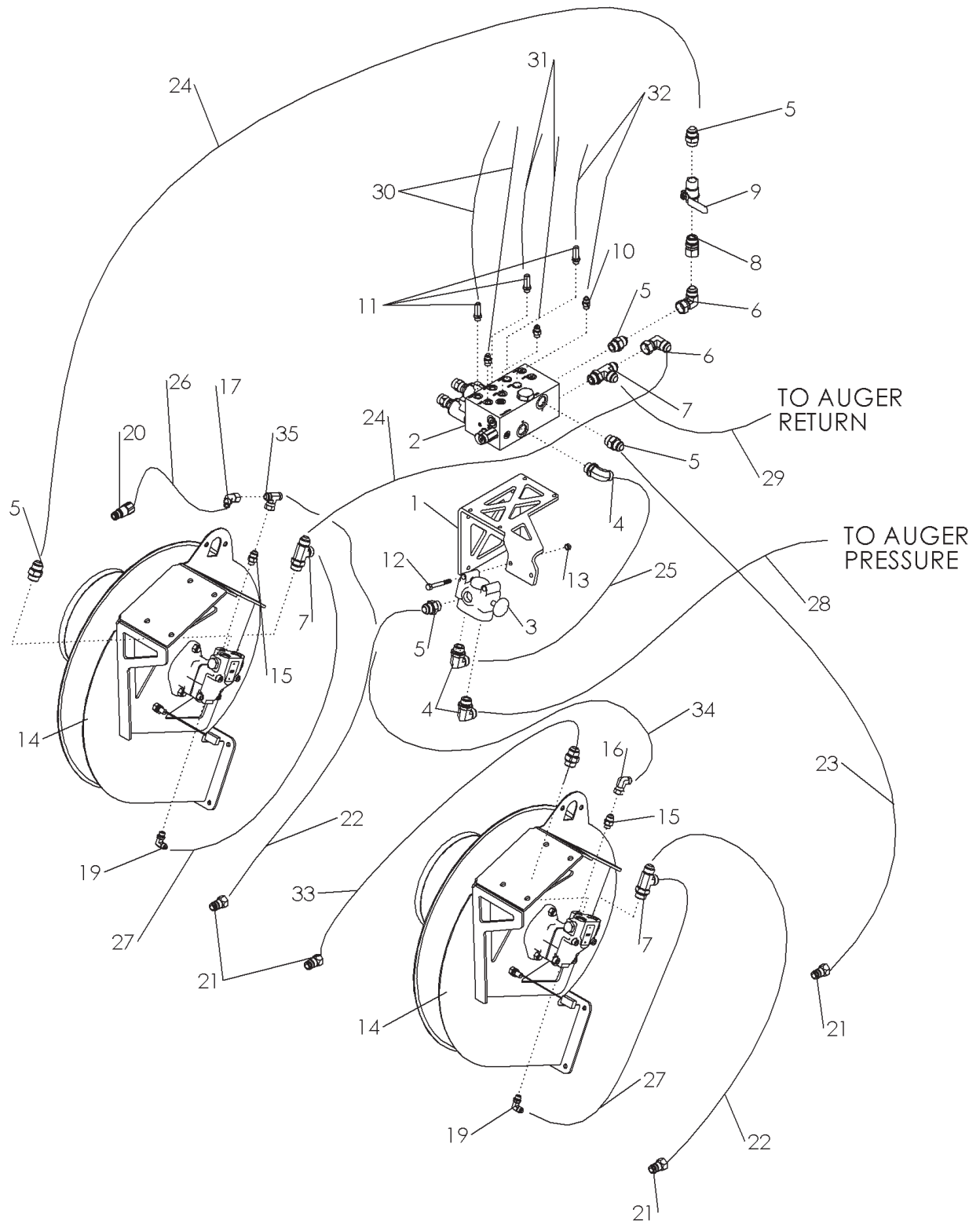
M6140-B

ASSY-BLOWER HYDRAULIC DRIVE SINGLE FAN TOW BETWEEN

Ref.	Part No.	Description	Qty.
1	37533	PLATE-VALVE BLOCK MOUNT	1
2	66938	VALVE-VARIABLE RATE 2-BANK W/CHECK	1
	67495	ASSY-METER VALVE CARTRIDGE & COIL (NOT SHOWN)	1
3	65846	VALVE-SELECTOR PAINTED (3-WAY)	1
	65848	SEAL-O-RING	2
	33083	KNOB-SELECTOR VALVE	1
4	64060	FTG-ELBOW: 12MB-12MJ-90	3
5	65918	FTG-ADAPTER: 12MB-12MJ	5
6	59041	FTG-ELBOW: 12MJ-12FJX-90	2
7	66248	FTG-TEE: 12MB-12MJ-12MJ	2
8	66249	FTG-ADAPTER: 12MB-12FJX	1
9	33641	VALVE-BALL 3/4 SAE	1
10	37259	FTG-ADAPTER: 6MB-6MJ	3
11	57754	FTG-ELBOW: 6MB-6MJ 90	3
12	1013239	BOLT-HEX; .38 X 3.00 NC GR5 ZP	2
13	1016999	NUT-TOPLOCK: .38 NC GR5 ZP	6
14	330470	ASSY-AMITY BLOWER	1
15	62024	FTG-ADAPTER: 6MB-8MJ	1
16	57668	FTG-ELBOW: 8MJ-8FJX-90	1
17	57663	FTG-ELBOW: 8MJ-8FJX-45	1
18	37532	U-BOLT: .375 X 7.00 X 6 X 7.00 ZP (NOT SHOWN)	2
19	66270	FTG-RESTRICTOR: 6MB-6MJ-90 .032	1
20	69119	FTG-CASE DRAIN JD & CNH	1
21	36291	PIONEER TIP 8010-16P (#10 ORB)	2
22	330098	HOSE: .75 X 156 10MB-12FJX	1
23	330097	HOSE: .75 X 168 10MB-12FJX90	1
24	330095	HOSE: .75 X 41 12FJX-12FJX45	2
25	66245	HOSE: .75 X 24 12FJX-12FJX	1
26	330096	HOSE: .50 X 144 8MB-8FJX	1
27	330077	HOSE: .50 X 20 12FJX-6FJX	1
28	37332	HOSE: .50 X 382 12FJX-12FJX	1
29	37333	HOSE: .50 X 382 12FJX-12FJX90	1
30	37698	HOSE: .38 X 48 6FJX-6FJX90	2
31	37699	HOSE: .38 X 113 6FJX-6FJX90	2
32	37700	HOSE: .38 X 156 6FJX-6FJX90	2

+ CASE DRAIN COUPLERS AT TRACTOR

Ref.	Part No.	Description	Qty.
33	69120	FTG-MOTOR RETURN LINE (NOT SHOWN)	AR
34	66199	PIONEER TIP 8010-15 (NOT SHOWN)	AR
35	66961	FTG-ADAPTER: 8FB-12MB (NOT SHOWN)	AR
36	37066	QUICK COUPLING-FEMALE -12-12 ORB (NOT SHOWN)	AR
37	37067	QUICK COUPLING-FEMALE -8-10 ORB (NOT SHOWN)	AR



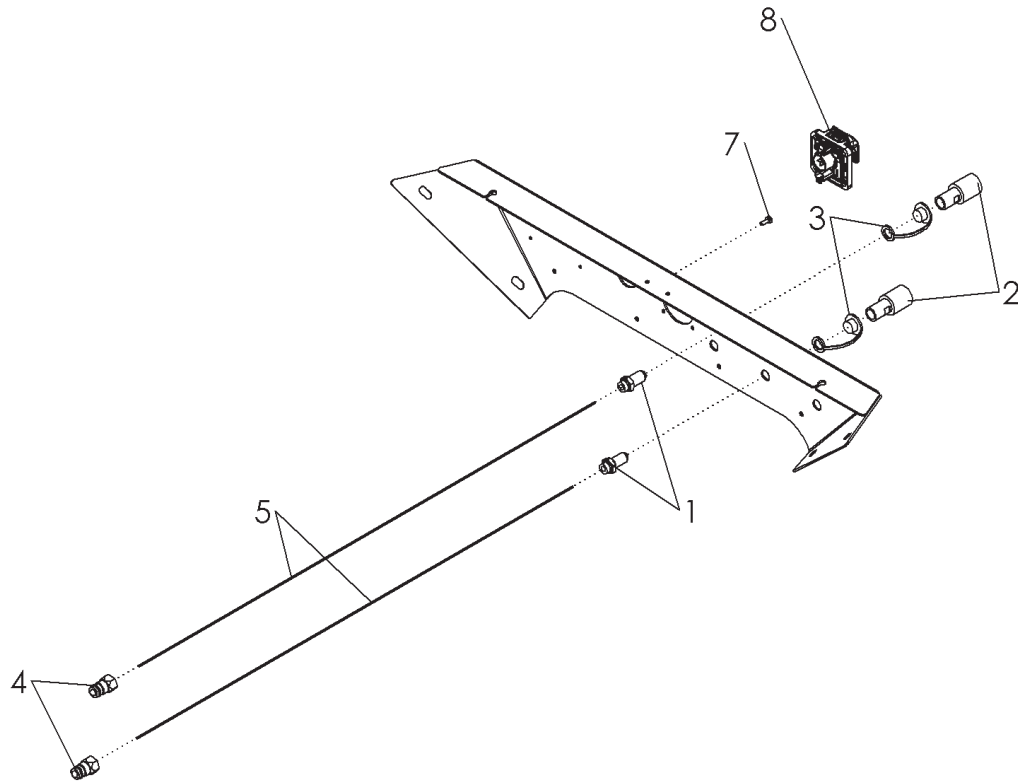
16141-B

ASSY-BLOWER HYDRAULIC DRIVE DUAL FAN TOW BETWEEN

Ref.	Part No.	Description	Qty.
1	37533	PLATE-VALVE BLOCK MOUNT	1
2	66938	VALVE-VARIABLE RATE 2-BANK W/CHECK	1
	67495	ASSY-METER VALVE CARTRIDGE & COIL (NOT SHOWN)	1
3	65846	VALVE-SELECTOR PAINTED (3-WAY)	1
	65848	SEAL-O-RING	2
	33083	KNOB-SELECTOR VALVE	1
4	64060	FTG-ELBOW: 12MB-12MJ-90	3
5	65918	FTG-ADAPTER: 12MB-12MJ	5
6	59041	FTG-ELBOW: 12MJ-12FJX-90	2
7	66248	FTG-TEE: 12MB-12MJ-12MJ	2
8	66249	FTG-ADAPTER: 12MB-12FJX	1
9	33641	VALVE-BALL 3/4 SAE	1
10	37259	FTG-ADAPTER: 6MB-6MJ	3
11	57754	FTG-ELBOW: 6MB-6MJ 90	3
12	1013239	BOLT-HEX; .38 X 3.00 NC GR5 ZP	2
13	1016999	NUT-TOPLOCK: .38 NC GR5 ZP	6
14	330470	ASSY-AMITY BLOWER	2
15	62024	FTG-ADAPTER: 6MB-8MJ	1
16	57668	FTG-ELBOW: 8MJ-8FJX-90	1
17	57663	FTG-ELBOW: 8MJ-8FJX-45	1
18	37532	U-BOLT: .375 X 7.00 X 6 X 7.00 ZP (NOT SHOWN)	2
19	66270	FTG-RESTRICTOR: 6MB-6MJ-90 .032	2
20	69119	FTG-CASE DRAIN JD & CNH	1
21	36291	PIONEER TIP 8010-16P (#10 ORB)	4
22	330098	HOSE: .75 X 156 10MB-12FJX	2
23	330097	HOSE: .75 X 168 10MB-12FJX90	1
24	330095	HOSE: .75 X 41 12FJX-12FJX45	2
25	66245	HOSE: .75 X 24 12FJX-12FJX	1
26	330096	HOSE: .50 X 144 8MB-8FJX	1
27	330077	HOSE: .50 X 20 12FJX-6FJX	2
28	37332	HOSE: .50 X 382 12FJX-12FJX	1
29	37333	HOSE: .50 X 382 12FJX-12FJX90	1
30	37698	HOSE: .38 X 48 6FJX-6FJX90	2
31	37699	HOSE: .38 X 113 6FJX-6FJX90	2
32	37700	HOSE: .38 X 156 6FJX-6FJX90	2
33	330099	HOSE: .75 X 156 10MB-12FJX90	1
34	330435	HOSE: .50 X 044 8FJX-8FJX90	1
35	66603	FTG-TEE: 8MJ-8MJ-8FJX	1

+ CASE DRAIN COUPLERS AT TRACTOR

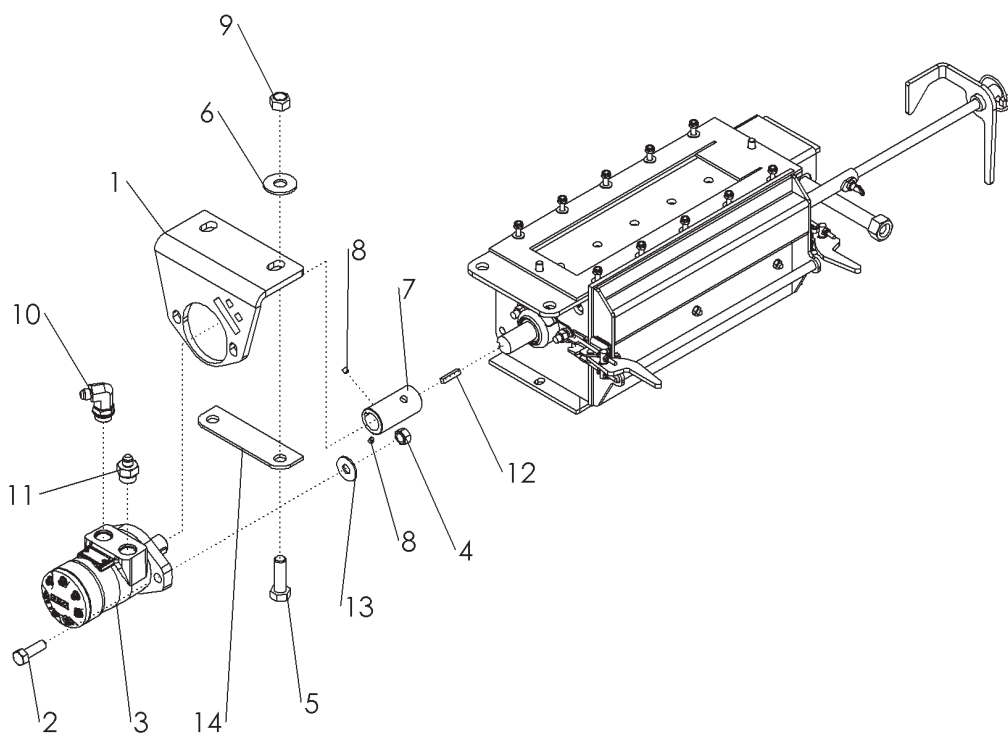
Ref.	Part No.	Description	Qty.
36	69120	FTG-MOTOR RETURN LINE (NOT SHOWN)	AR
37	66199	PIONEER TIP 8010-15 (NOT SHOWN)	AR
38	66961	FTG-ADAPTER: 8FB-12MB (NOT SHOWN)	AR
39	37066	QUICK COUPLING-FEMALE -12-12 ORB (NOT SHOWN)	AR
40	37067	QUICK COUPLING-FEMALE -8-10 ORB (NOT SHOWN)	AR



M6121-B

ASSY-TOW BETWEEN COUPLERS & ELECTRIC

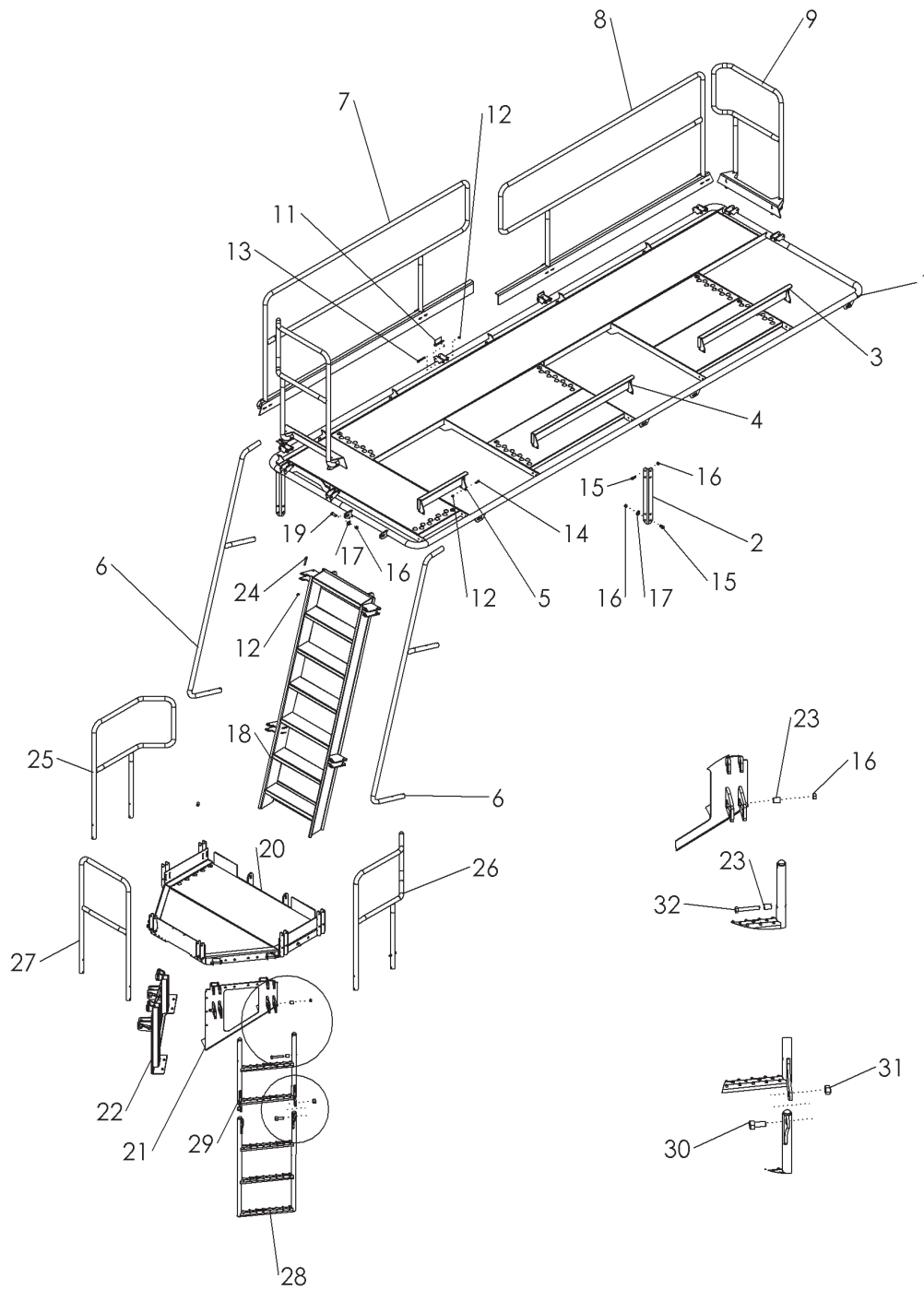
Ref.	Part No.	Description	Qty.
1	37267	FTG-BULKHEAD: 8MB-8MJ	6
2	37266	COUPLER-FEMALE #8250-15	6
3	37268	DUST-PLUG-HYD COUPLE	6
4	36290	PIONEER TIP 8015-15P (#8 ORB)	6
5	67374	HOSE: .50 X 400 8FJX-8MB	6
6	67698	HARNESS-TANK (NOT SHOWN)	1
7	67686	SCREW-S-TAP: .25 X .63 ZP	4
8	320196	CONNECTOR-ISO BOX IBBC (SLAVE)	1



M6122

ASSY-HYDRAULIC DRIVE - METERS

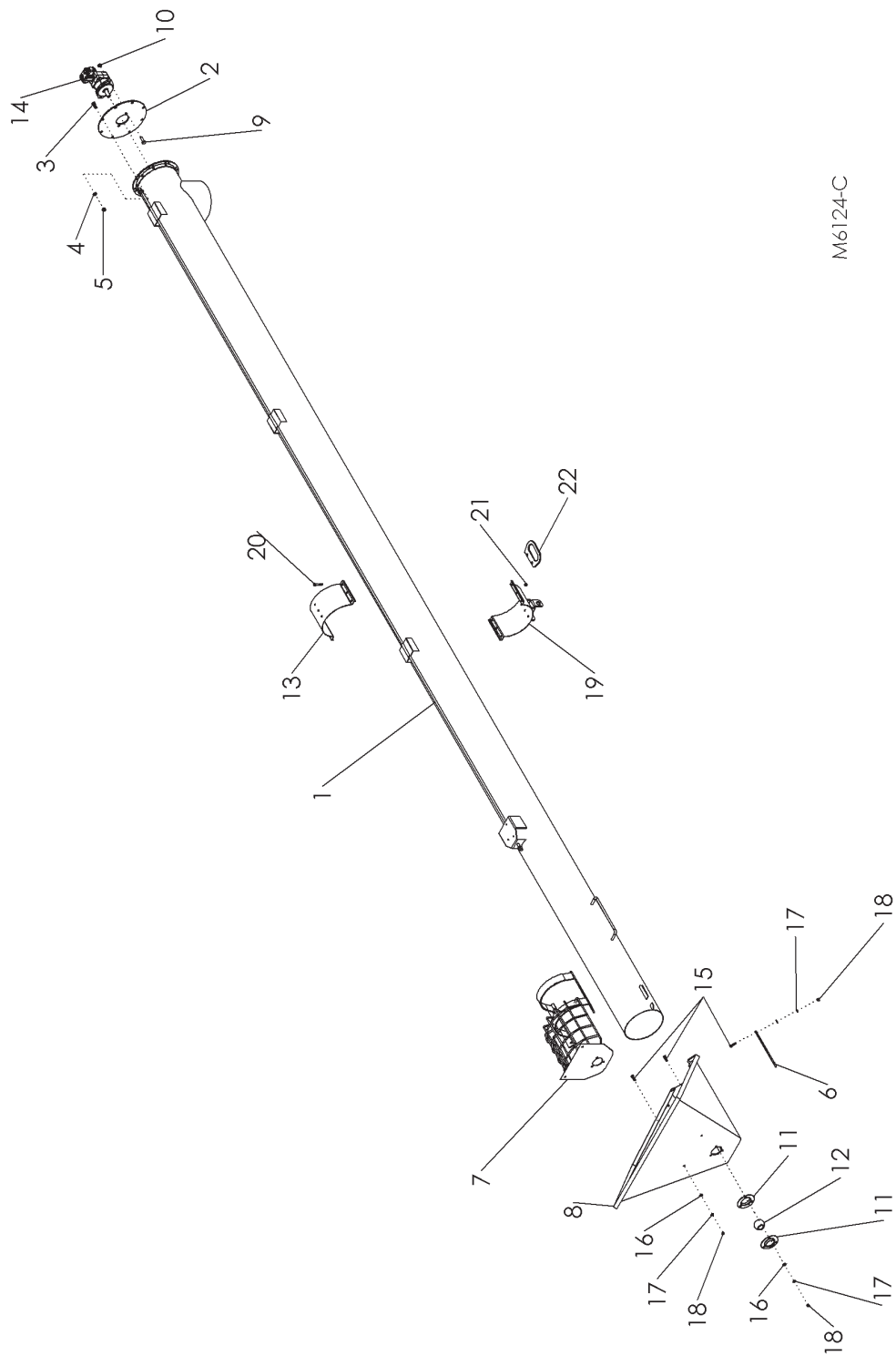
Ref.	Part No.	Description	Qty.
1	34038	MOUNT-HYD MOTOR METER	1
2	67063	BOLT-HEX: SS .50 X 2.00	2
3	67481	MOTOR-METER DRIVE 9.7 CID W/SPEED	1
	330600	SEAL KIT FOR 67481	
	67518	SENSOR METER SPEED (NOT SHOWN)	
4	67659	NUT-NYLOCK: SS .50 NC GR2	2
5	34808	BOLT-HEX: SS .63 X 2.00 NC	2
6	67496	WASHER-FLAT: .63 SS	2
7	65552	COUPLER	1
8	1013044	SCREW-SET: .25 X .25 NC GR8 NP	2
9	66445	NUT-NYLOCK: .63 NC GR2 SS	2
10	37042	FTG-ELBOW: 10MB-6MJ 90	1
11	66939	FTG-ADAPTER: 6MJ-10MB	1
12	65715	KEY .250 X .250 X 1.250 SS	1
13	37356	WASHER-FLAT: SS .50 ZP	2
14	66381	PLATE-MB CLAMP SPACER	1
15	67489	HARNESS-METER SPEED (NOT SHOWN)	1



M6123-C

ASSY-CATWALKS & RAILINGS & LADDERS

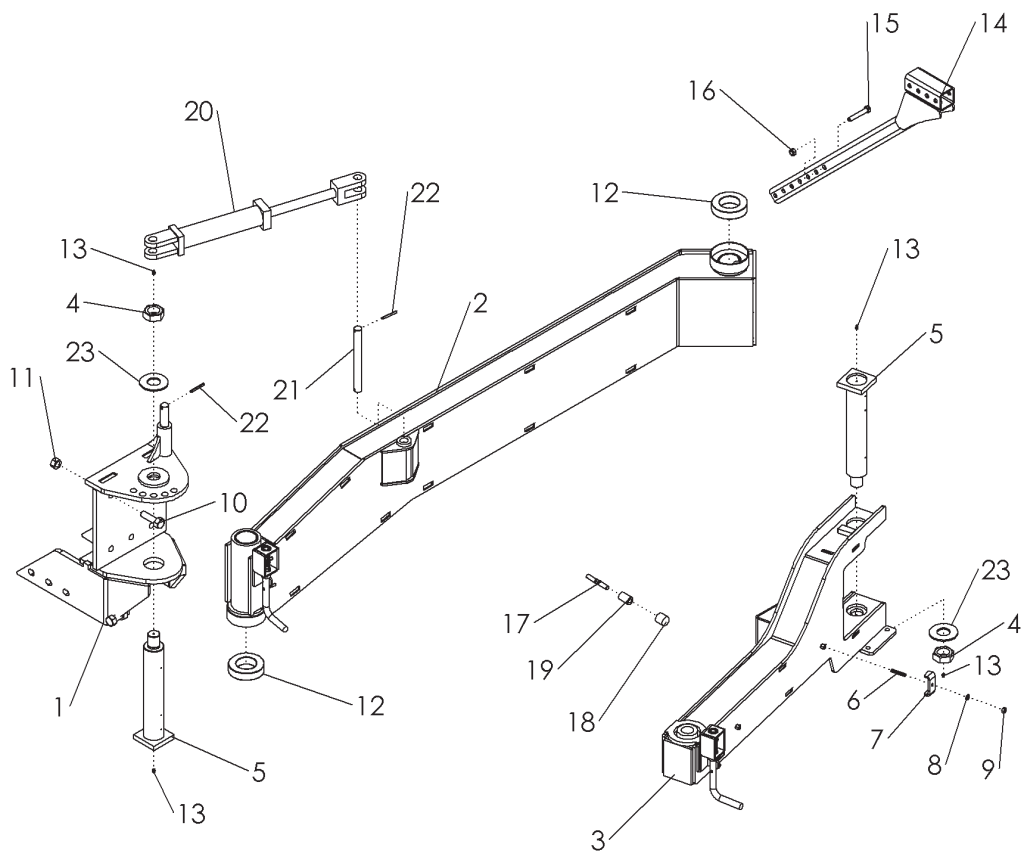
Ref.	Part No.	Description	Qty.
1	37370	WLDMT-MAIN CATWALK 525 BU	1
2	37361	PLATE-CATWALK BRACE	4
3	37365	WLDMT-KICK RAIL 38.25"	1
4	37366	WLDMT-KICK RAIL 42"	1
5	37367	WLDMT-KICK RAIL 20"	1
6	37179	WLDMT-TUBE LADDER HANDRAIL	2
7	37395	WLDMT-FRONT SIDE HANDRAIL	1
8	37398	WLDMT-REAR SIDE HANDRAIL	1
9	37369	WLDMT-BACK HANDRAIL	1
10	37399	WLDMT-FRONT HANDRAIL	1
11	37661	SPRING PIN .38 X 2.50	12
12	1016999	NUT-TOPLOCK: .38 NC GR5 ZP	40
13	1015174	BOLT-HEX: .38 X 2.50 NC GF5 ZP	8
14	1011600	BOLT-HEX: .38 X 1.00 NC GR5 ZP	12
15	1011096	BOLT-HEX: .50 X 1.00 NC GR5 ZP	16
16	1027461	NUT-TOPLOCK: .50 NC GR5 ZP	52
17	1014443	WASHER-FLAT: .50 ZP	24
18	37255	WLDMT-LADDER (5250)	1
	331082	WLDMT-LADDER TOP(3800)	1
19	1011607	BOLT-HEX: .50 X 1.50 NC GR5 ZP	28
20	37606	WLDMT-FRONT CATWALK	1
21	37580	WLDMT-CATWALK MOUNT LH	1
22	37585	WLDMT-CATWALK MOUNT RH	1
23	65254	TUBE-SPACER ZP	8
24	59390	BOLT-HEX: .38 X 2.25 NC G5 ZP	20
25	37591	WLDMT-RAILING RIGHT	1
26	37588	WLDMT-RAILING LEFT	1
27	37594	WLDMT-FRONT RAILING	1
28	37599	WLDMT-LOWER LADDER	2
29	37597	WLDMT-LADDER TOP	2
30	62412	BOLT-HEX: .75 X 1.75 NC GR5 ZP	4
31	1017000	NUT-TOPLOCK: .75 NC GR5 ZP	4
32	1017719	BOLT-HEX: .50 X 3.25 NC GR5 ZP	8
33	223329	HOLDER-LIGHT PLUG (NOT SHOWN)	1
34	1013423	BOLT-HEX: .25 X 1.00 NC GR5 ZP (NOT SHOWN)	2
35	1030946	NUT-TOPLOCK: .25 NC GR5 ZP (NOT SHOWN)	2



M6124-C

ASSY-AUGER

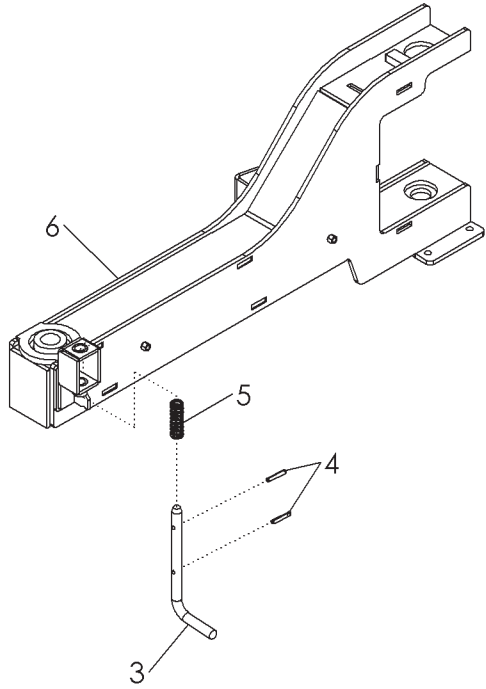
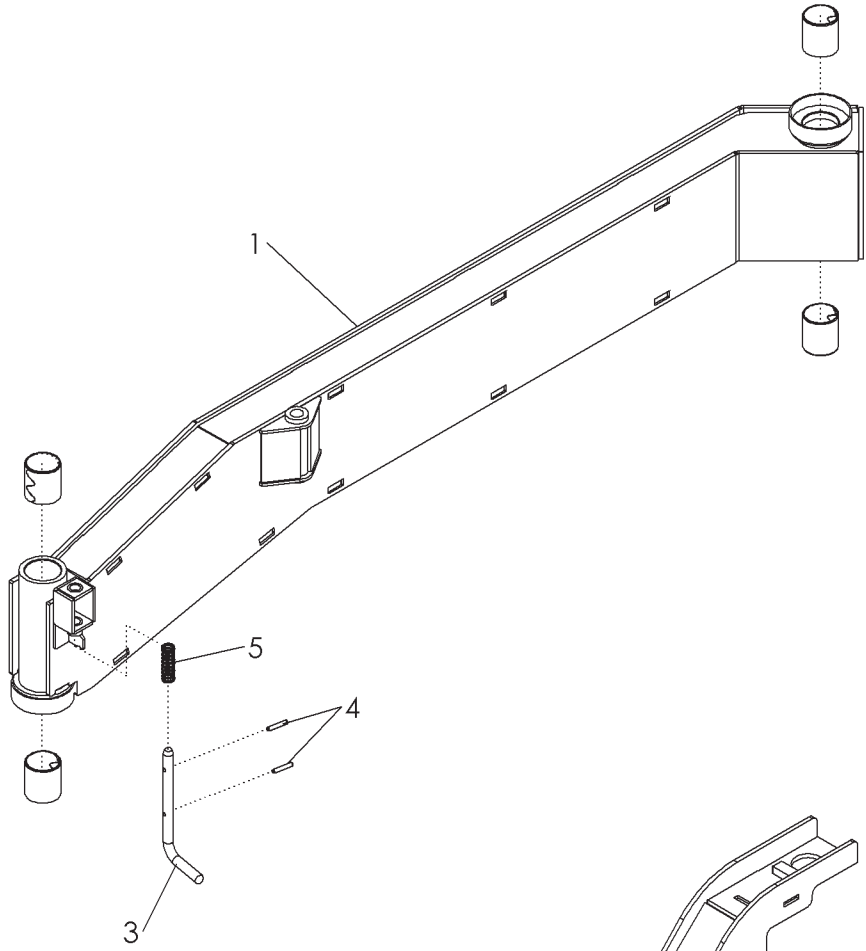
Ref.	Part No.	Description	Qty.
1	37400	TUBE-AUGER 10" X 25 FT	1
	37401	FLIGHTING-POLY 9" X 25 FT (NOT SHOWN)	1
2	66257	PLATE-MOTOR MOUNT 10"	1
3	1011606	BOLT-HEX: .50 X 1.25 NC GR5 ZP	8
4	1011581	WASHER-LOCK: .50 ZP	8
5	1011577	NUT-HEX: .50 NC GR2 ZP	8
6	65913	PLATE-BACKING HOPPER MOUNT	2
7	66258	MOUNT-HOPPER 10"	1
8	66277	HOPPER-POLY 10"	1
9	1011607	BOLT-HEX: .50 X 1.50 NC GF5 ZP	2
10	1027461	NUT-TOPLOCK: .50 NC GR5 ZP	2
11	65914	BEARING-FLANGE	2
12	65915	BEARINGP-WOOD - 1.25"	1
13	66253	CLAMP-TOP BRACKET	6
14	1032092	MOTOR-HYDRAULIC	1
15	1011601	BOLT-HEX: .38 X 1.25 NC GR5 ZP	9
16	1014608	WASHER-FLAT: SAE .38 ZP	9
17	1011586	WASHER-LOCK: .38 ZP	9
18	1011576	NUT-HEX: .38 NC GR2 ZP	9
19	66254	CLAMP-BOTTOM BRACKET	1
20	1011725	BOLT-HEX: .38 X 2.00 NC GR5 ZP	6
21	1016999	NUT-TOPLOCK: .38 NC GR5 ZP	6
22	330823	SHEET-HOSE GUIDE	1



M6134-C

ASSY-AUGER MOUNTING COMPONENTS

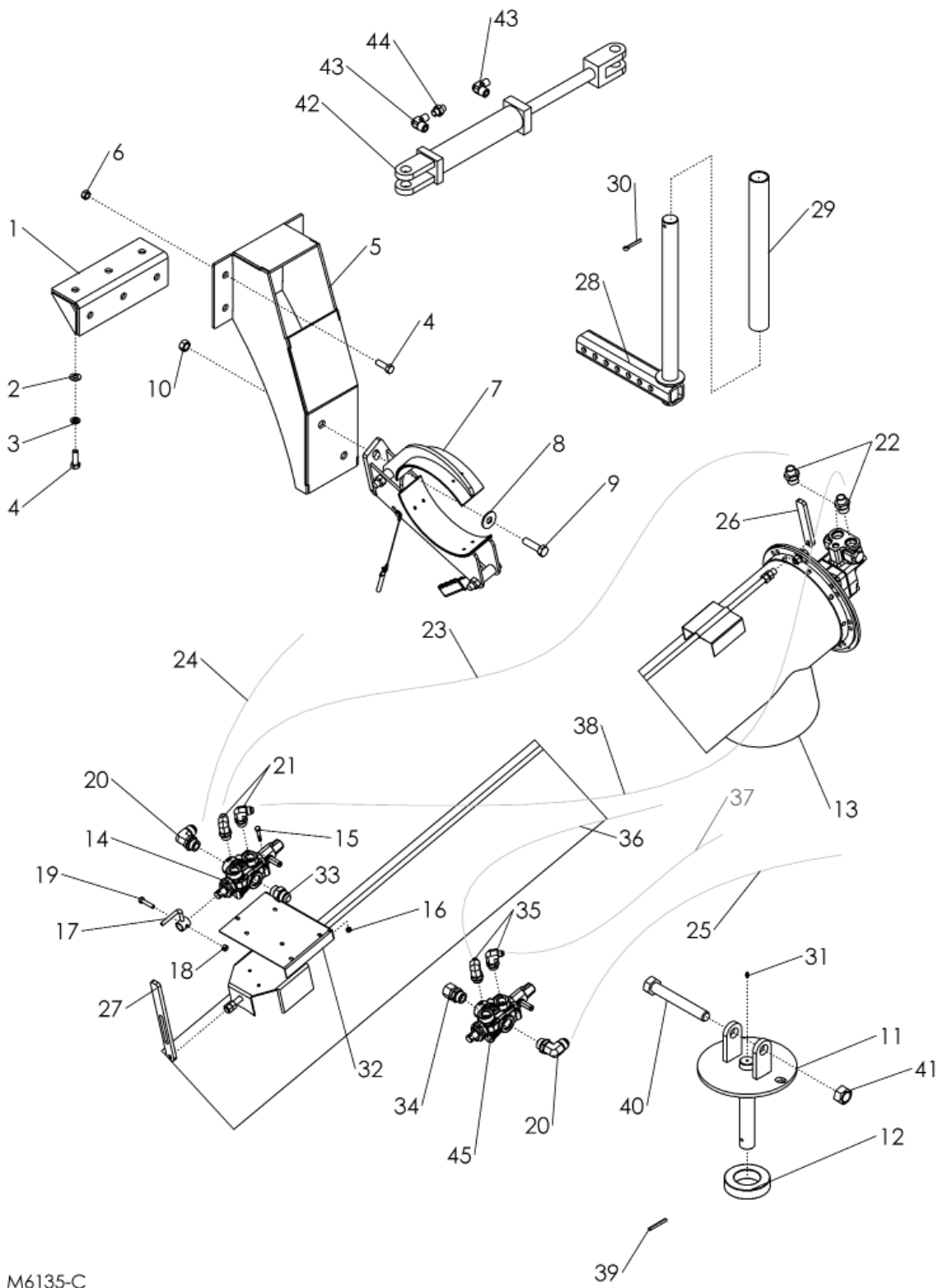
Ref.	Part No.	Description	Qty.
1	330176	WLDMT-AUGER MOUNT 5250	1
2	330186	ASSY-INNER AUGER ARM 5250	1
3	330205	ASSY-OUTER AUGER ARM 5250	1
4	35914	NUT-JAM: 1.50 NF NYLOCK GR2 ZP	2
5	330184	WLDMT-KING PIN ZP	2
6	330045	STUD-.375 X 3.00 NC	10
7	50714	CLAMP 1/2" ZP	10
8	1011586	WASHER-LOCK: .38 ZP	10
9	1011576	NUT-HEX: .38 NC GR2 ZP	10
10	1016598	BOLT-HEX: .75 X2.50 NC GR5 ZP	12
11	1017000	NUT-TIOPLOCK: .75 NC GR5 ZP	12
12	35567	BEARING-THRUST: TIMKIN T251	2
13	1011748	ZERK-GREASE: .25 UNF STRAIGHT	4
14	330270	WLDMT-UPPER MOUNT	1
15	1011611	BOLT-HEX: .50 X 3.00 NC GR5 ZP	2
16	1027461	NUT-TOPLOCK: .50 NC GR5 ZP	2
17	330436	STUD-.50-13 X 3.50 BLACK THREADED	1
18	330437	BUMPER-RUBBER 1.250 X .75 X 1/2-13	1
19	330442	TUBE-SPACER 1.00 1.875 ZP	1
20	33612	CYLINDER-HYD 20TH08-112ASAE	1
21	330595	PIN-1.00 X 9.25 ZP	1
22	36271	PIN-ROLL: .25 X 2.25 ZP	3
23	37080	WASHER-FLAT: 1.50 ZP	2



M6136-B

ASSY-INNER & OUTER AUGER ARMS

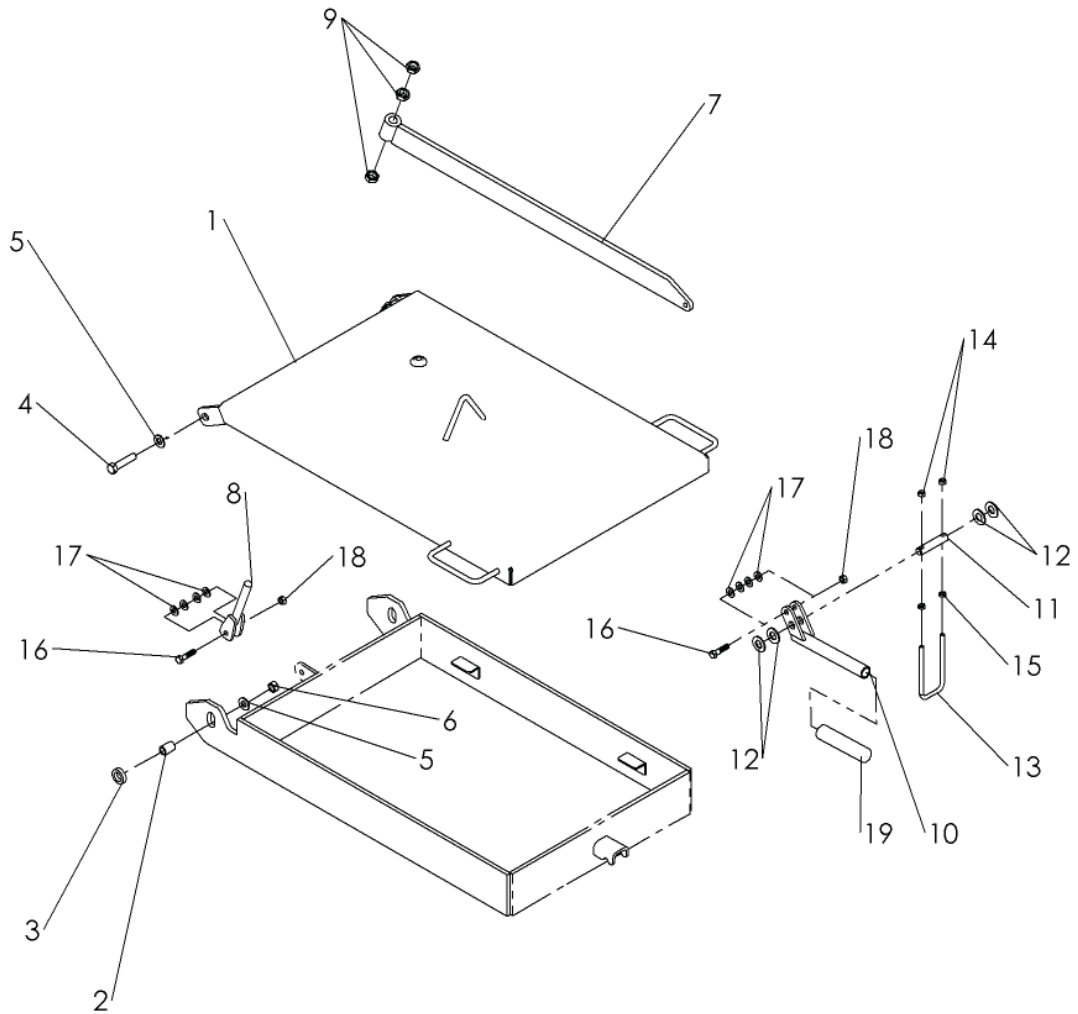
Ref.	Part No.	Description	Qty.
1	330187	WLDMT-INNER AUGER ARM 5250	1
2	330594	SPRING-BUSHING 2.75 X 2.50 X 3.0L	4
3	37787	LATCH-HANDLE ZP	2
4	1030793	PIN-ROLL: .31 X 1.75 ZP	4
5	36335	SPRING-SDD TOOLBAR LOCK	2
6	330201	WLDMT-OUTER AUGER ARM 5250	1



M6135-C

ASSY-AUGER & HYDRAULICS

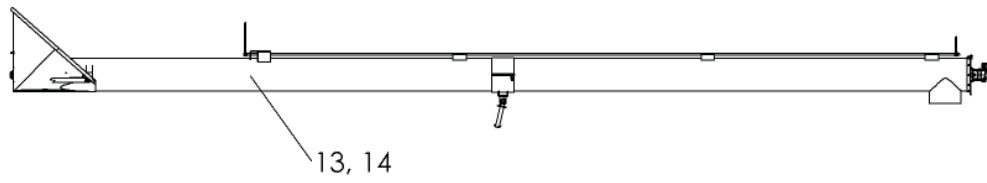
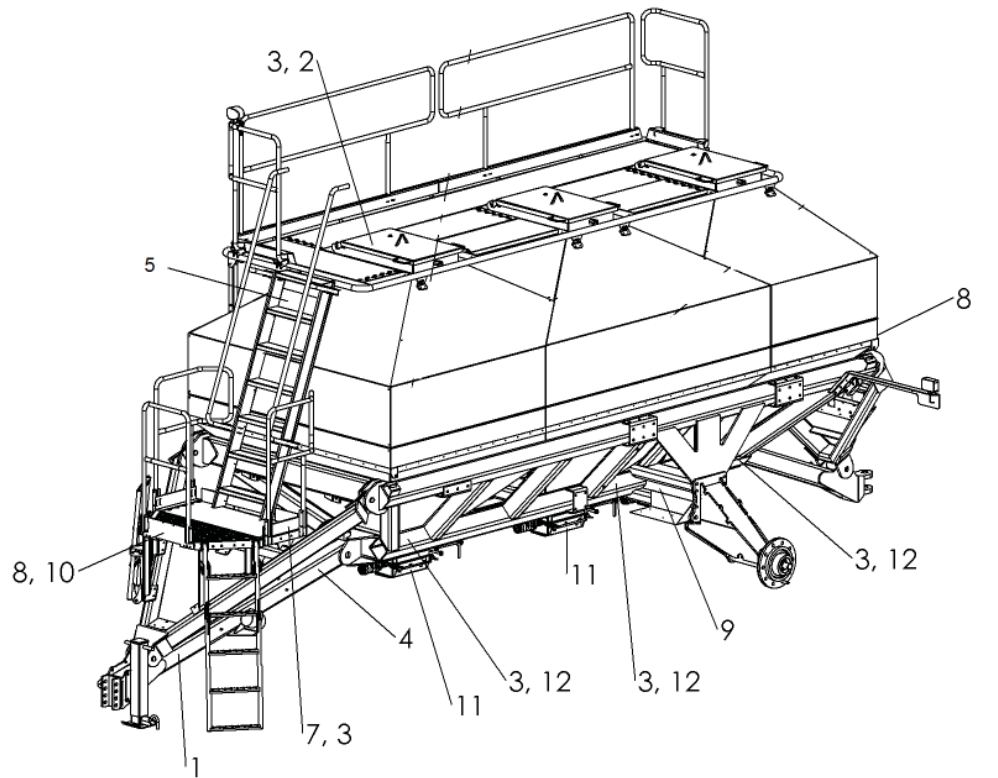
Ref.	Part No.	Description	Qty.
1	330213	WLDMT-LOWER AUGER CLAMP GUSSET	1
2	1011584	WASHER-FLAT: SAE .50 ZP	3
3	1011581	WASHER-LOCK: .50 ZP	3
4	1011607	BOLT-HEX: .50 X 1.50 NC GR5 ZP	9
5	330216	WLDMT-LOWER AUGER CLAMP BRACKET	1
6	1027461	NUT-TOPLOCK: .50 NC GR5 ZP	6
7	66255	ASSY-CLAMP 10"	1
	65248	AUGER CLAMP-LYNCH PIN AND CABLE (NOT SHOWN)	1
8	1013024	WASHER-FLAT: .63 ZP	2
9	1017526	BOLT-HEX: .63 X 2.25 NC GR5 ZP	2
10	1016595	NUT-TOPLOCK: .63 NC GR5 ZP	2
11	330222	WLDMT-AUGER PIVOT	1
12	35567	BUSHING-THRUST: TIMKEN T251	1
13	37402	ASSY-AUGER POLY 10" 25FT W/HOPPER	1
14	65845	VALVE-CONTROL 4WAY PAINTED	1
15	1019550	BOLT-HEX: .25 X 1.50 NC GR5	3
16	1030946	NUT-TOPLOCK: .25 NC GR5 ZP	3
17	66107	HANDLE AUGER VALVE ZP	1
18	1030700	NUT-TOPLOCK: .31 NC GR5 ZP	1
19	1014124	BOLT-HEX: .31 X 1.50 NC GR5 ZP	1
20	64060	FTG-ELBOW: 12MB-12MJ-90	2
21	65901	FTG-ELBOW: 10MB-8MJ-90	2
22	58195	FTG-ADAPTER: 10MB-8MJ	2
23	330468	HOSE: .50 X 232 8FJX-8FJX-90	2
24	330742	HOSE: .50 X 392 12FJX-12FJX	1
25	330741	HOSE: .50 X 384 12FJX-12FJX-90	1
26	66443	TOP HANDLE	1
27	66442	BOTTOM HANDLE	1
28	330274	WLDMT-UPPER ADJ ARM	1
29	330262	PIPE: ABS BLACK, 1.50 SCH40 X 17.5"	1
30	1016944	PIN-COTTER: .25 X 2.00 ZP	1
31	1011747	ZERK-GREASE: .25 UNF 90 DEG	1
32	330613	SHEET-DUAL VALVE MOUNT	1
33	65918	FTG-ADAPTER: 12MB-12MJ	1
34	66249	FTG-ADAPTER: 12MB-12FJX	1
35	37042	FTG-ELBOW: 10MB-6MJ 90	2
36	330612	HOSE: .38 X 228 6FJX-6FJX	1
37	330599	HOSE: .38 X 226 6FJX-6FJX	1
38	330469	HOSE: .50 X 234 8FJX-8FJX90	1
39	36271	PIN-ROLL: .25 X 2.25	1
40	65721	BOLT-HEX: 1.00 X 7.00 NC GR5 ZP	1
41	1016969	NUT-TOPLOCK: 1.00 NC GR5 ZP	1
42	33612	CYLINDER-HYD: 20TH08-112SAE	1
43	58557	FTG-ELBOW 8MB-6MJ-90	2
44	330851	FTG-RESTRICTOR 6FJ-6MJ .020	1
45	330596	VALVE-CONTROL 4WAY 3POS CNTR PAINTED	1



M6127

ASSY-DOORS

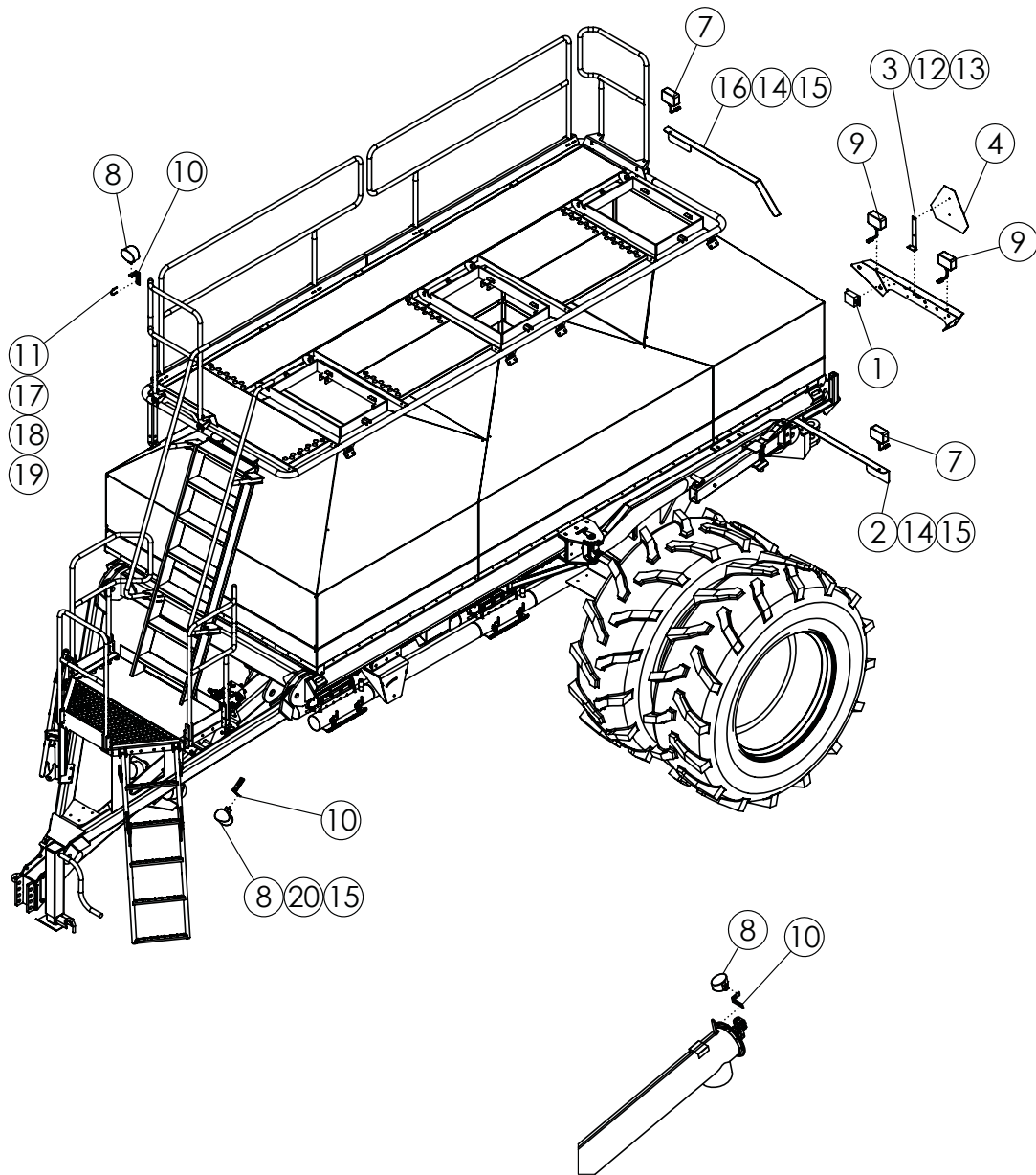
Ref.	Part No.	Description	Qty.
1	65558	WLDMT-TOP DOOR	1
2	65555	SPACER-DOOR HINGE	2
3	65554	SPACER-DOOR HINGE	2
4	1017708	BOLT-HEX: .50 X 2.25 NC GR5 ZP	2
5	1011584	WASHERPFLAT: SAE .50 ZP	4
6	1027461	NUT-TOPLOCK: .50 NC GR5 ZP	2
7	65559	WLDMT-CLAMP LEVER	1
8	65556	ROD-ADJUSTMENT ZP	1
9	1026259	NUT-JAM: .63 NC GR2 ZP	3
10	65557	WLDMT-CLAMP ADJ TUBE ZP	1
11	65560	PIIN-CLAMP LEVER	1
12	1013004	WASHER-FLAT: SAE .63 ZP	4
13	65656	U-BOLT: .313 X 5.00 X 2 X 5.00	1
14	1030700	NUT-TOPLOCK: .31 NC GR5 ZP	2
15	1020506	NUT-JAM: .31 NC GR2 ZP	2
16	1011602	BOLT-HEX: .38 X 1.50 NC GR5 ZP	2
17	1014608	WASHER-FLAT: SAE .38 ZP	8
18	1016999	NUT-TOPLOCK: .38 NC GR5 ZP	2
19	65902	GRIP-BLACK 1" ID X 5.06"L	1
20	66078	PLUG-PIPE .25 NPT ALLEN HEAD SS (NOT SHOWN)	1
21	64504	SEALANT-PROGLAZE (NOT SHOWN)	100ml
22	1026562	SCREEN BASKET (OPTIONAL - NOT SHOWN)	1
23	65722	GASKET-RUBBER DOOR (NOT SHOWN)	1



M6128

ASSY-DECALS AIR CART 5250

Ref.	Part No.	Description	Qty.
1	9971163	DECAL, SAFETY SET	2
2	997862	DECAL, HIGH VOLTAGE, DANGER	6
3	9971010	DECAL, CHEMICAL HAZARD, WARNING	4
4	997866	DECAL, FLUID UNDER PRESSURE, WARNING	2
5	9971016	DECAL, FALL OFF HAZARD, DANGER	3
6	997862	DECAL, HIGH VOLTAGE, DANGER	5
7	9971016	DECAL, FALL OFF HAZARD, WARNING	2
8	9971018	DECAL, SPEED SIGN, 20MILE/H	1
9	9971008	DECAL, CRUSHING HAZARD, WARNING	4
10	997860	DECAL, READ MANUAL, WARNING	1
11	9971012	DECAL, MOVING PART HAZARD, WARNING	3
12	9971239	DECAL, FLYING OBJECT, FACE WARNING	3
13	9971240	DECAL, AUGER ENTANGLEMENT, HAND, DANGER	1
14	9971022	DECAL, ELECTROCUTION, DANGER	1
15			



ASSY-SAFETY LIGHTS

Ref.	Part No.	Description	Qty.
1	65341	MODULE-INTERFACE	1
2	37511	PLATE HAZARD ARM LH	1
3	37264	PLATE-SMV MOUNT	1
4	65329	SIGN-SMV	1
5	1011595	BOLT-HEX: .25 X .75 NC GR5 ZP	4
6	1030946	NUT-TOPLOCK: .25 NC GR5 ZP	4
7	65334	LAMP-AMBER FLASHING	2
8	37498	LIGHT-FLOOD OVAL 38 WATT	3
9	65333	LAMP-RED TAIL	2
10	37499	SHEET-WORK LIGHT BRACKET	3
11	44186	U-BOLT: RND .31 X 1.50 X 2.19 ZP	1
12	0100615	BOLT-HEX: .19 X .75 NC GR5 ZP	4
13	1026591	NUT-K-LOCK: #10-24NC GR2 ZP	4
14	1011096	BOLT-HEX: .50 X 1.00 NC GR5 ZP	4
15	1027461	NUT-TOPLOCK: .50 NC GR5 ZP	4
16	37512	PLATE-HAZARD ARM RH	1
17	1011575	NUT-HEX: .31 CN GR2 ZP	2
18	1011583	WASHER-FLAT: .31 ZP	2
19	1029115	WASHER-LOCK: .31 ZP	2
20	1011606	BOLT-HEX: .50 X 1.25 NC GR5 ZP	1
21	37496	HARNESS-SAFETY LIGHT (NOT SHOWN)	1
22	37497	HARNESS-LIGHT EXTENSION 5250 (NOT SHOWN)	2
23	66323	CLIP-WIRE HARNESS (NOT SHOWN)	14
24	62833	CLAMP-ADHESIVE BACKED CABLE (NOT SHOWN)	10