

Amity

TECHNOLOGY



PARTS MANUAL



2250

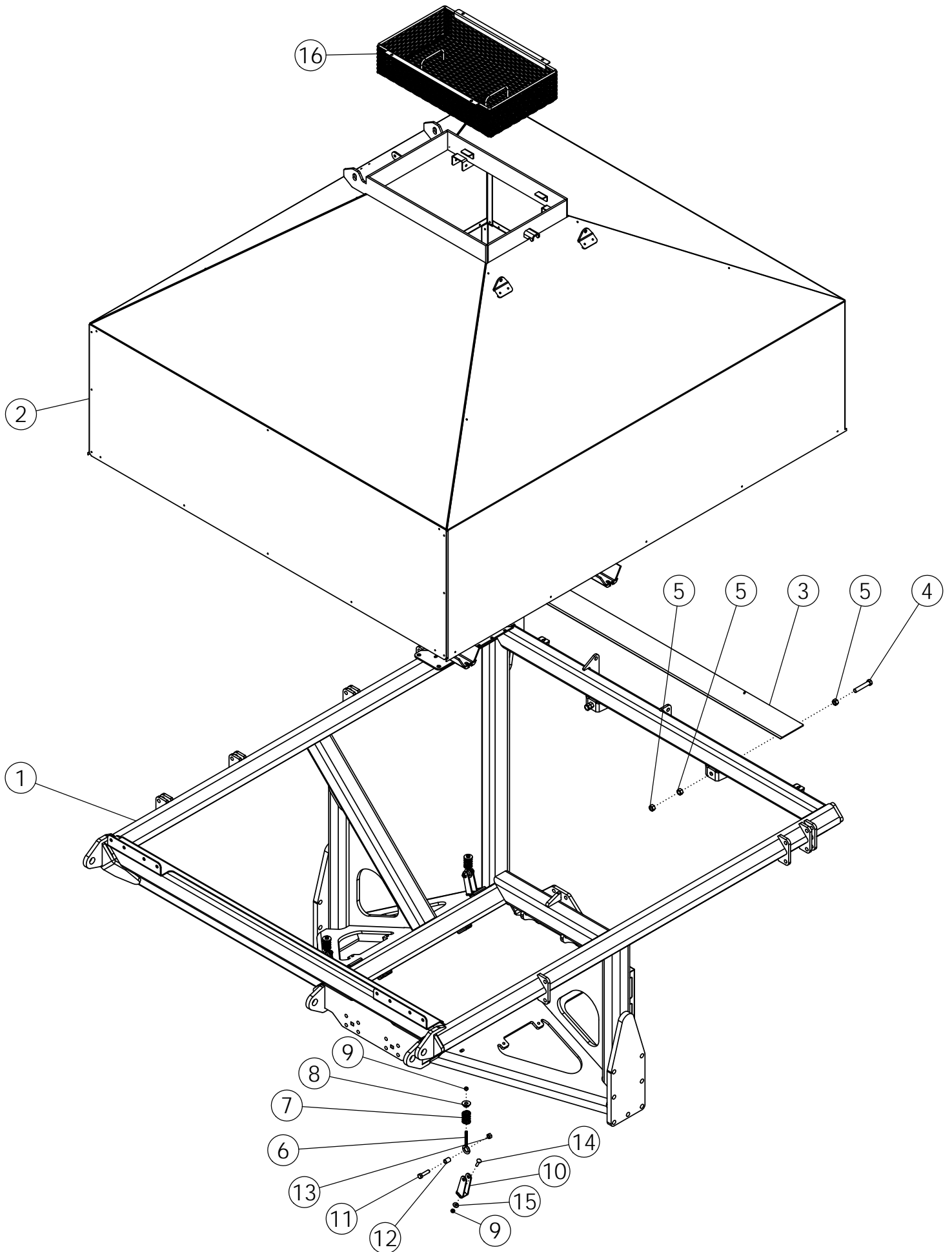
AIR CART

P/N 332082

Amity Technology, LLC
2800 7th Avenue North
Fargo, ND 58102
(701) 232-4199
www.amitytech.com

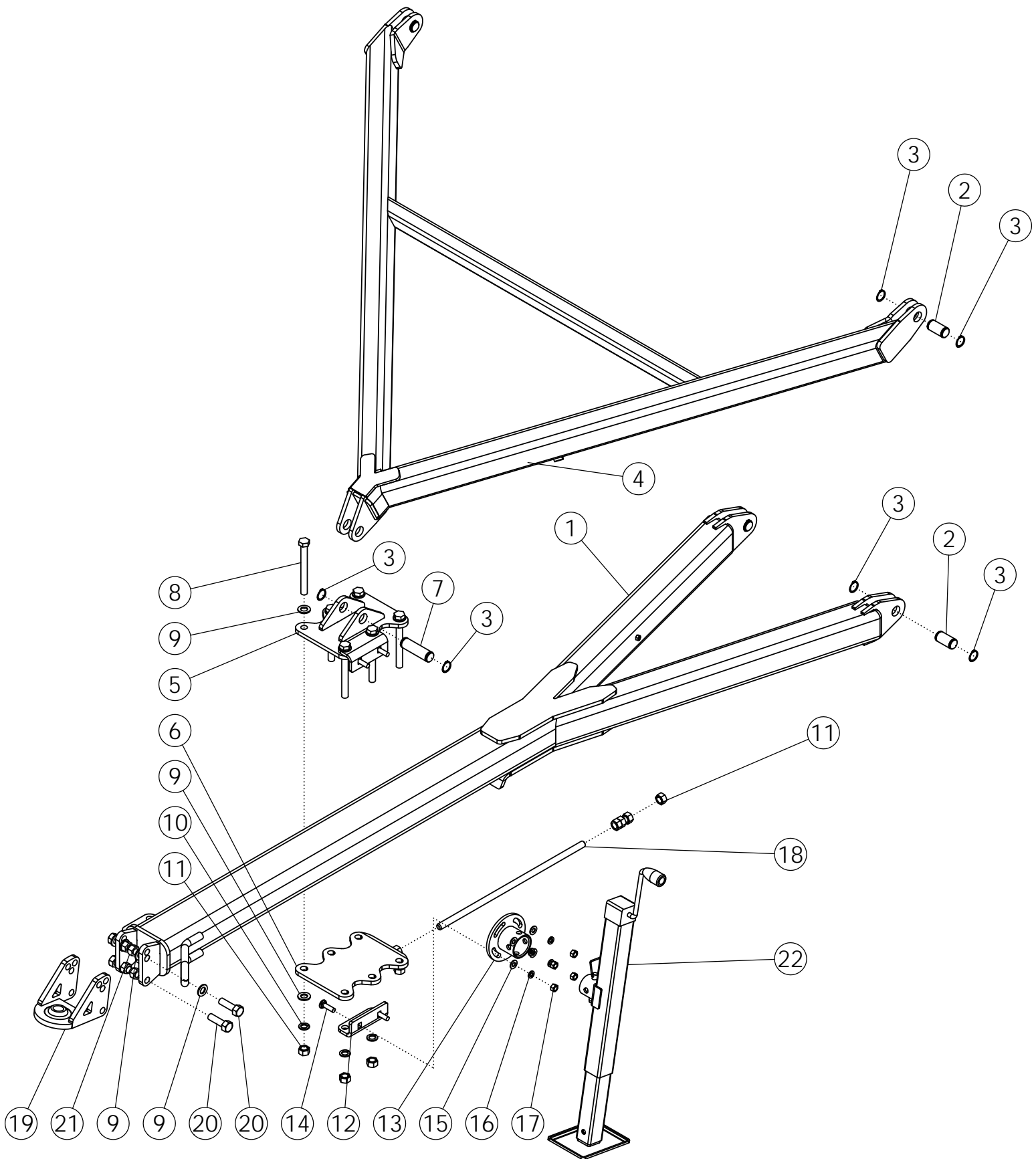
TABLE OF CONTENTS

TANK AND FRAME	4-5
HITCH ASSEMBLY	6-7
STANDARD AXLE ASSEMBLY	8-9
STEERABLE AXLE ASSEMBLY	10-11
STEERING SYSTEM ASSEMBLY	12-13
CATWALK AND LADDER ASSEMBLY	14-15
AIR HOSE ASSEMBLY	16-17
BLOWER AND DRIVE HYDRAULIC ASSEMBLY	18-19
BLOWER ASSEMBLY	20-21
SINGLE AIRSTREAM ASSEMBLY	22-23
METER BOX ASSEMBLY	24-25
METER BOX DOOR ASSEMBLY	26-27
HYDRAULIC METER DRIVE ASSEMBLY	28-29
PRESSURIZATION KIT	30-31
TANK LADDER ASSEMBLY	32-33
TOP DOOR ASSEMBLY	34-35
AUGER AND HYDRAULICS ASSEMBLY	36-37
AUGER MOUNT ASSEMBLY	38-39
ECU ASSEMBLY AND HARNESSSES	40-41
LIGHTS AND SMV SIGN ASSEMBLY	42-43
SAFETY DECALS	44-45
CALIBRATION KIT COMPONENTS	46-47



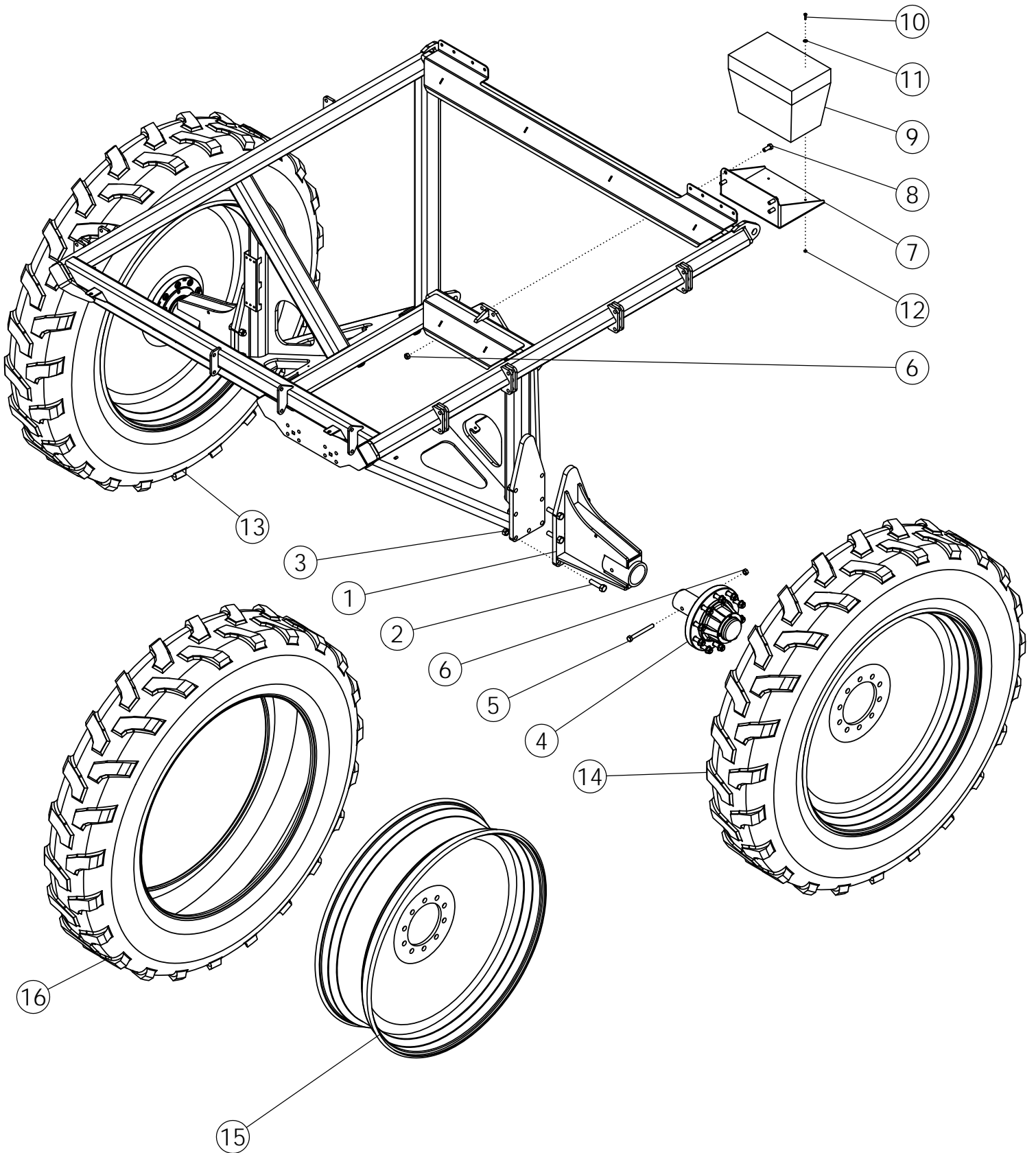
TANK AND FRAME

ITEM	PART NO.	DESCRIPTION	QTY
1	332100	WLDMT-MAIN FRAME	1
2	332086	WLDMT-SS TANK 2250	1
3	332212	WLDMT-TOP PUSH PLATE	1
4	1032273	BOLT-TAP: .63 X 3.50 NC GR5 ZP	2
5	1011578	NUT-HEX: .63 NC GR2 ZP	6
6	330830	EYEBOLT-TANK RETAINER	4
7	330829	SPRING-TANK RETAINER	4
8	330828	COLLAR-SPRING RETAINER ZP	4
9	1016999	NUT-TOPLOCK: .38 NC GR5 ZP	8
10	332227	WLDMT-TANK SPRING HOLD DOWN	4
11	1011609	BOLT-HEX: .50 X 2.00 NC GR5 ZP	4
12	65555	SPACER-DOOR HINGE	4
13	1011500	NUT-TOPLOCK: .50 NC GR5 ZP	4
14	58679	BOLT-CRG: .38 X 1.50 NC GR5 ZP	4
15	1011828	WASHER-FLAT .38 ZP	4
16	1026562	WLDMT-SCREEN BASKET	1



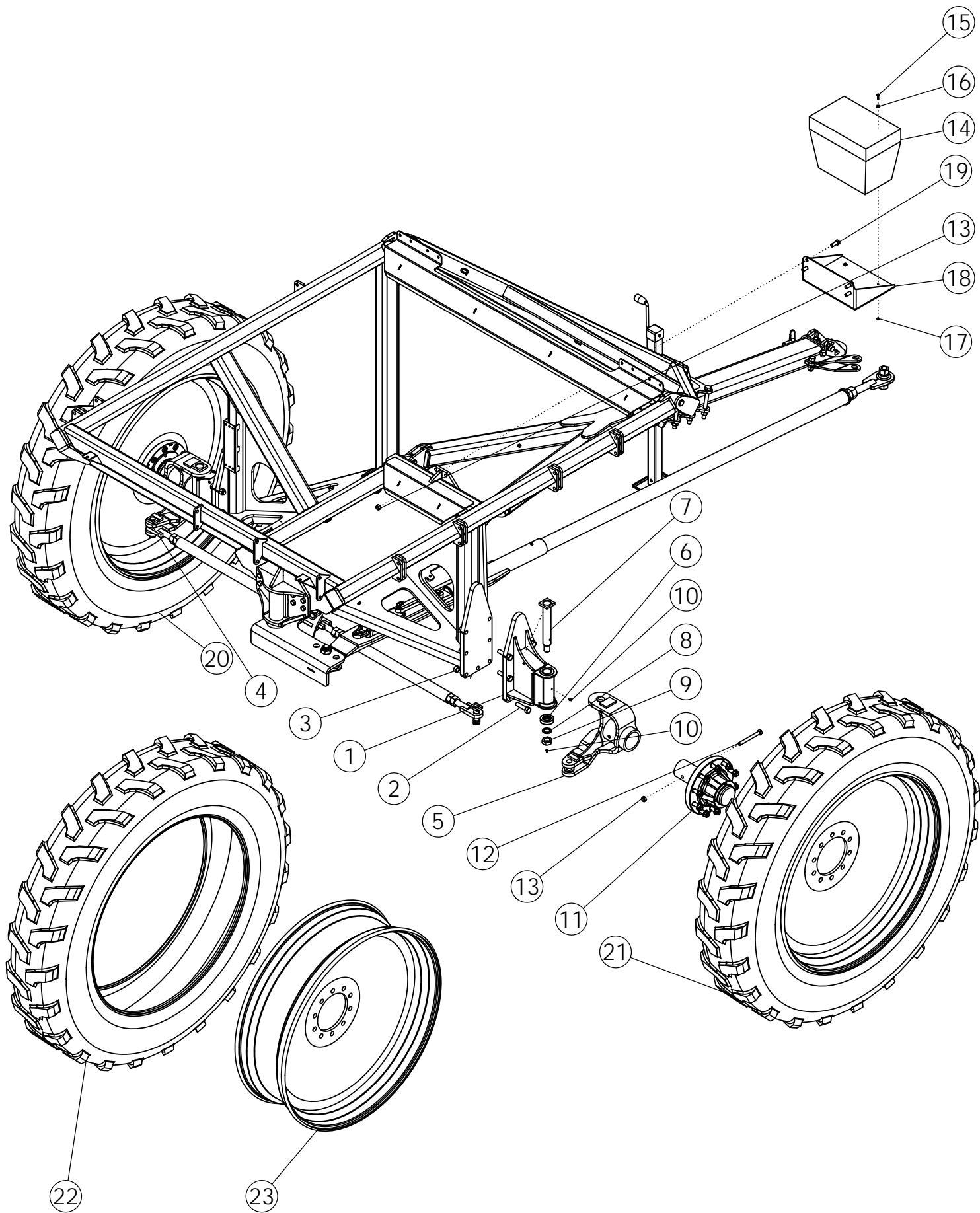
HITCH ASSEMBLY

ITEM	PART NO.	DESCRIPTION	QTY
1	332137	WLDMT-LOWER HITCH	1
2	332131	PIN-HITCH Ø1.250 X 2.500 ZP	4
3	301058	SNAP-RING 1.250"	10
4	332124	WLDMT-UPPER HITCH	1
5	332334	WLDMT-HITCH SLIDE JOINT TOP	1
6	332337	PLATE-HITCH SLIDE JOINT BOTTOM	1
7	332132	PIN-HITCH Ø1.250 X 4.375 ZP	1
8	332342	BOLT-HEX: .75 X 7.00 NC GR8 YZP	6
9	1012634	WASHER-FLAT: SAE .75 ZP	14
10	1012061	WASHER-LOCK: .75 ZP	6
11	66501	NUT-HEX: .75 NC GR8 ZP	14
12	332339	PLATE-JACK STAND PIVOT MOUNT	2
13	332340	WLDMT-JACK STAND PIVOT	1
14	59517	BOLT-CRG: .50 X 1.75 NC GR5 ZP	4
15	1011584	WASHER-FLAT: SAE .50 ZP	4
16	1011581	WASHER-LOCK: .50 ZP	4
17	1024230	NUT-HEX: .50 NC GR2 NP	4
18	332338	ROD-THREADED .750 X 24.000 ZP	1
19	332148	WLDMT-HITCH BALL JOINT	1
20	1016598	BOLT- .75 X 2.50 NC GR5 ZP	4
21	1017000	NUT-TOPLOCK: .75 NC GR5 ZP	4
22	65962	JACK-SIDEWIND (8000LB) SDD	1



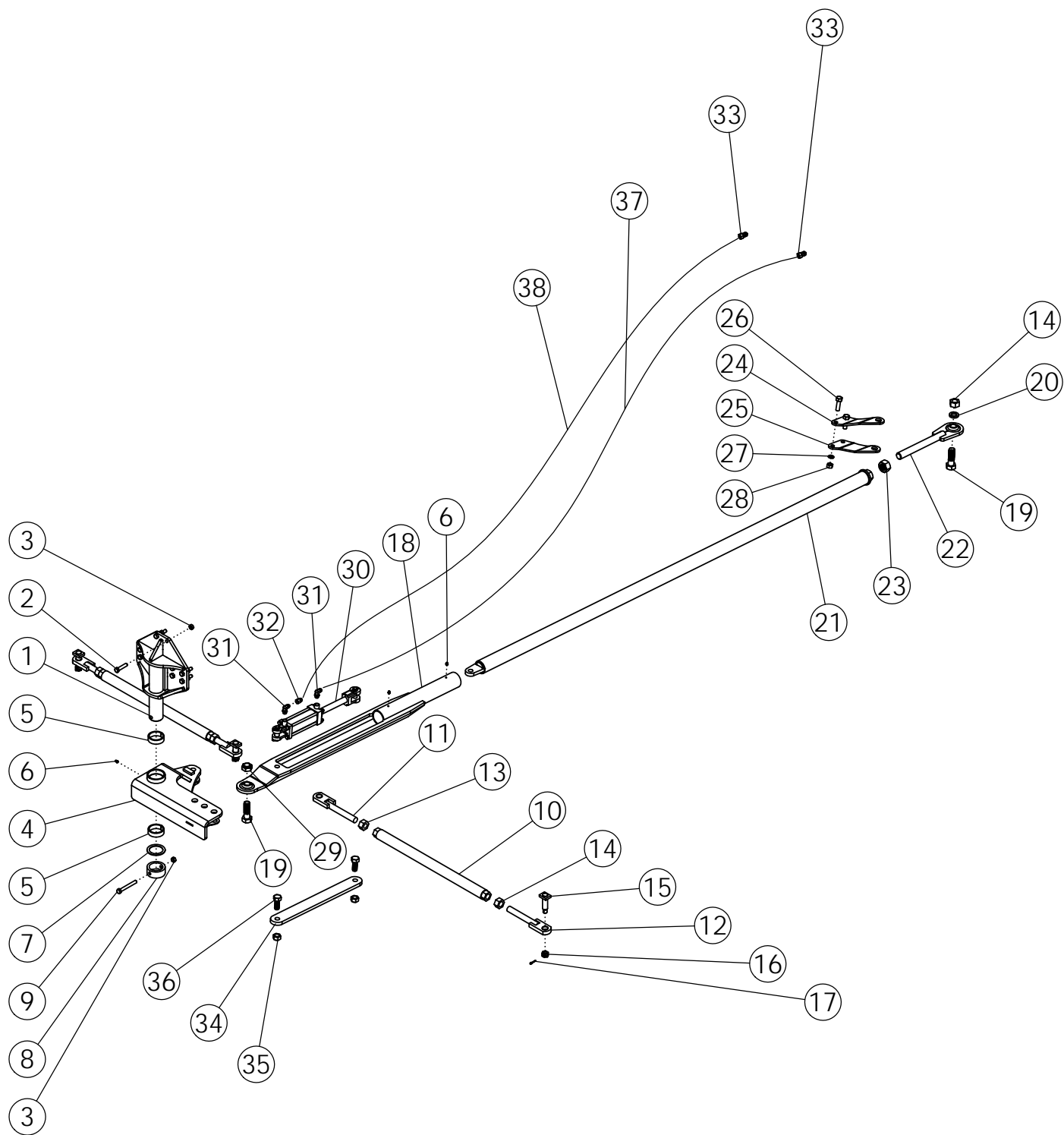
STANDARD AXLE ASSEMBLY

ITEM	PART NO.	DESCRIPTION	QTY
1	332353	WLDMT-STANDARD AXLE	2
2	1012059	BOLT-HEX: .75 X 3.00 NC GR5 ZP	14
3	1017000	NUT-TOPLOCK: .75 NC GR5 ZP	14
4	332279	ASSY-HUB&SPINDLE: 10-BOLT 22500#	2
5	1013068	BOLT-HEX: .63 X 6.00 NC GR5 ZP	2
6	1016595	NUT-TOPLOCK: .63 NC GR5 ZP	6
7	332248	WLDMT-TOOLBOX HOLDER	1
8	1014349	BOLT-HEX: .63 X 1.50 NC GR5 ZP	4
9	65888	TOOLBOX-PLASTIC LARGE	1
10	1013423	BOLT-HEX: .25 X 1.00 NC GR5 ZP	4
11	1020416	WASHER-FLAT: .25 ZP	4
12	1030946	NUT-TOPLOCK: .25 NC GR5 ZP	4
13	332233	TIRE-MNTD: 380/90R46 RH-2" OS	1
14	332234	TIRE-MNTD: 380/90R46 LH-2" OS	1
15	332235	WHEEL-R46 X 12 WIDE - 2" OFFSET	1
16	332236	TIRE-380/90R46 168A8	1



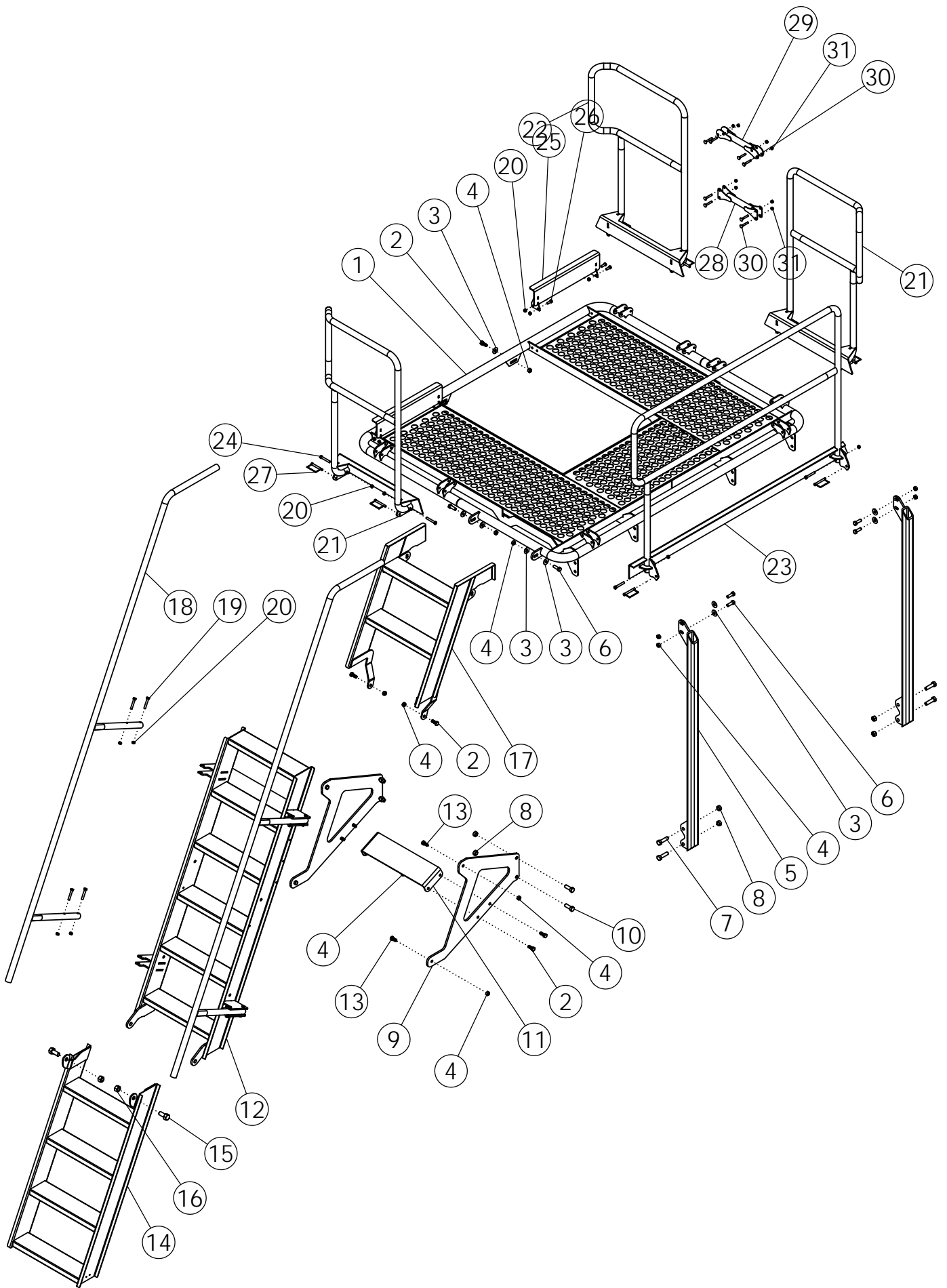
STEERABLE AXLE ASSEMBLY

ITEM	PART NO.	DESCRIPTION	QTY
1	332330	WLDMT-STEERABLE AXLE PIVOT W/BUSHINGS	2
2	1012059	BOLT-HEX: .75 X 3.00 NC GR5 ZP	14
3	1017000	NUT-TOPLOCK: .75 NC GR5 ZP	14
4	332297	WLDMT-SPINDLE RECEIVER LH	1
5	332296	WLDMT-SPINDLE RECEIVER RH	1
6	1020688	BEARING-THRUST: TIMKEN T177	2
7	65439	WLDMT-KING PIN	2
8	1020675	WASHER-STAR: INTERNAL 1.25" ZP	2
9	65864	NUT-JAM: 1.25 NF GR2 ZP	2
10	1011748	ZERK-GREASE .25 UNF STRAIGHT	4
11	332279	ASSY-HUB&SPINDLE: 10-BOLT 22500#	2
12	1013068	BOLT-HEX: .63 X 6.00 NC GR5 ZP	2
13	1016595	NUT-TOPLOCK: .63 NC GR5 ZP	6
14	65888	TOOLBOX-PLASTIC LARGE	1
15	1013423	BOLT-HEX: .25 X 1.00 NC GR5 ZP	4
16	1020416	WASHER-FLAT: .25 ZP	4
17	1030946	NUT-TOPLOCK: .25 NC GR5 ZP	4
18	332248	WLDMT-TOOLBOX HOLDER	1
19	1014349	BOLT-HEX: .63 X 1.50 NC GR5 ZP	4
20	332233	TIRE-MNTD: 380/90R46 RH-2" OS	1
21	332234	TIRE-MNTD: 380/90R46 LH-2" OS	1
22	332236	TIRE-380/90R46 168A8	1
23	332235	WHEEL-R46 X 12 WIDE - 2" OFFSET	1



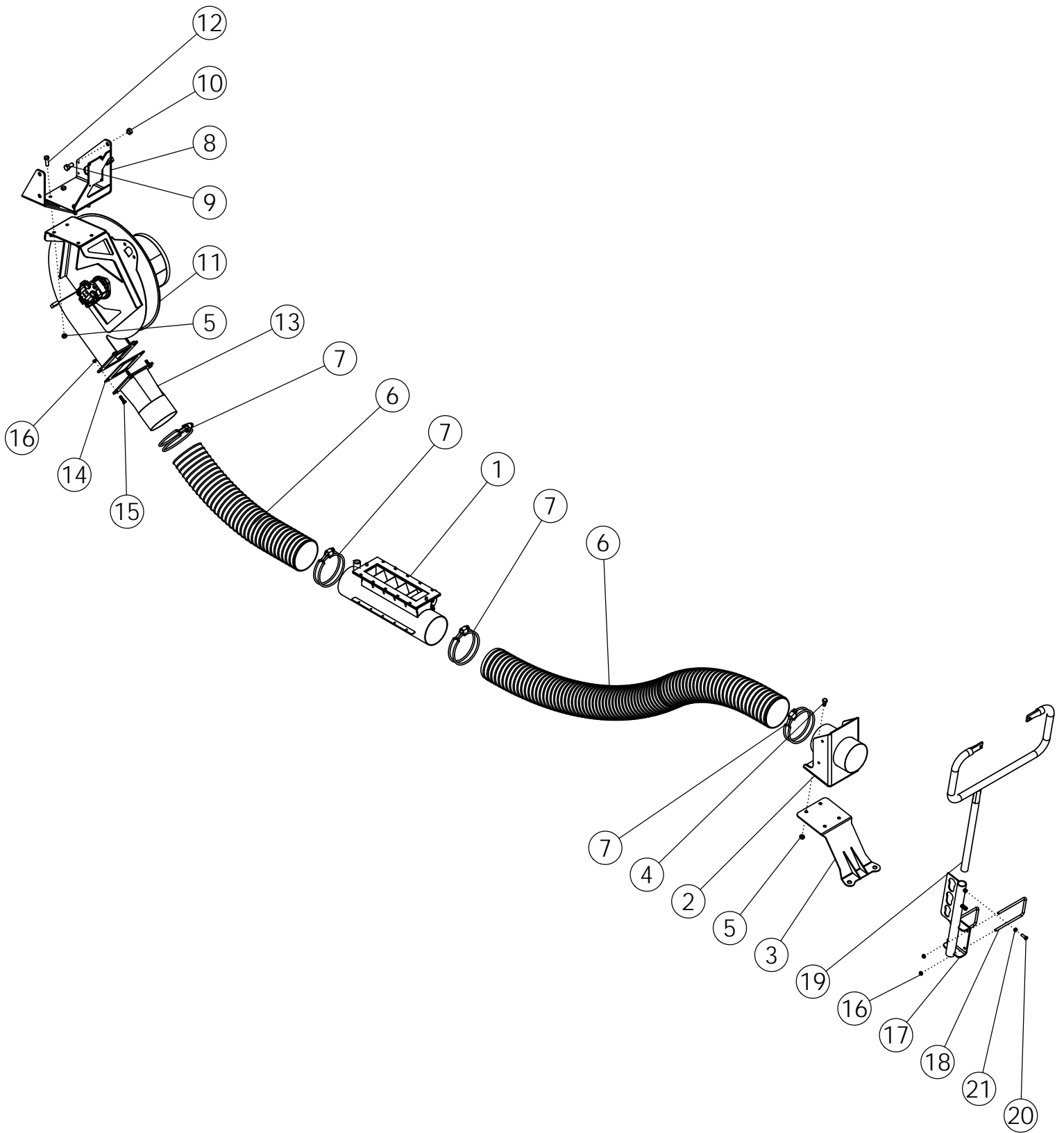
STEERING SYSTEM ASSEMBLY

ITEM	PART NO.	DESCRIPTION	QTY
1	332315	WLDMT-STEERING PIVOT	1
2	1024447	BOLT-HEX: .63 X 2.75 NC GR5 ZP	10
3	1016595	NUT-TOPLOCK: .63 NC GR5 ZP	11
4	332322	WLDMT-PIVOT ARM	1
5	35621	BUSHING-SPLIT 3.5 OD X 3 ID X 1.0	2
6	1011748	ZERK-GREASE .25 UNF STRAIGHT	3
7	332060	WASHER-BUSHING: 3.00 X 4.00 X 10 GA	1
8	332329	TUBE-STEERING PIVOT END RETAINER	1
9	1013816	BOLT-HEX: .63 X 5.00 NC GR5 ZP	1
10	332174	WLDMT-STEERING TIE ROD RH	2
11	332314	ASSY-TIE ROD END OFFSET W/BUSHING	2
12	332312	ASSY-TIE ROD END CENTERED W/BUSHING	2
13	1030729	NUT-HEX: 1.25 NC GR2 LH ZP	2
14	1011621	NUT-HEX: 1.25 NC GR2 ZP	3
15	65440	WLDMT-KING PIN HITCH	3
16	65679	NUT-HEX: SLOT .88 NF GR5 ZP	3
17	1012375	PIN-COTTER .19 X 1.50 NP	3
18	332251	WLDMT-STEERING ROD CYLINDER MOUNT	1
19	332062	BOLT-HEX: 1.25 X 4.00 NC GR5 ZP	2
20	1026732	WASHER-LOCK: 1.25 ZP	1
21	332255	WLDMT-STEERING ROD	1
22	332260	WLDMT-1.25 BALL JOINT TIE ROD END	1
23	1014726	NUT-HEX: 1.50 NC GR2 ZP	1
24	332510	PLATE-STEERING ROD CLEVIS TOP	1
25	332511	PLATE-STEERING ROD CLEVIS BOTTOM	1
26	1016598	BOLT- .75 X 2.50 NC GR5 ZP	2
27	1012061	WASHER-LOCK: .75 ZP	2
28	1011620	NUT-HEX: .75 NC GR2 ZP	2
29	1030759	NUT-TOPLOCK: 1.25 NC ZP	1
30	58890	CYLINDER HYDRAULIC 3 X 8	1
31	58560	FTG-ELBOW: 8MB-8MJ-90	2
32	300030	FTG-RESTRICTOR 8MJ-8FJ .062	1
33	36290	PIONEER TIP 8010-15P (#8 ORB)	2
34	332365	PLATE-2250 STEERING SHIPPING BAR	1
35	1016969	NUT-TOPLOCK: 1.00 NC GR5 ZP	2
36	1023331	BOLT-HEX: 1.00 X 2.50 NC GR5 ZP	2
37	300029	HOSE: .50 X 276 8MB-8FJX	1
38	66604	HOSE: .50 X 290 8MB-8FJX	1



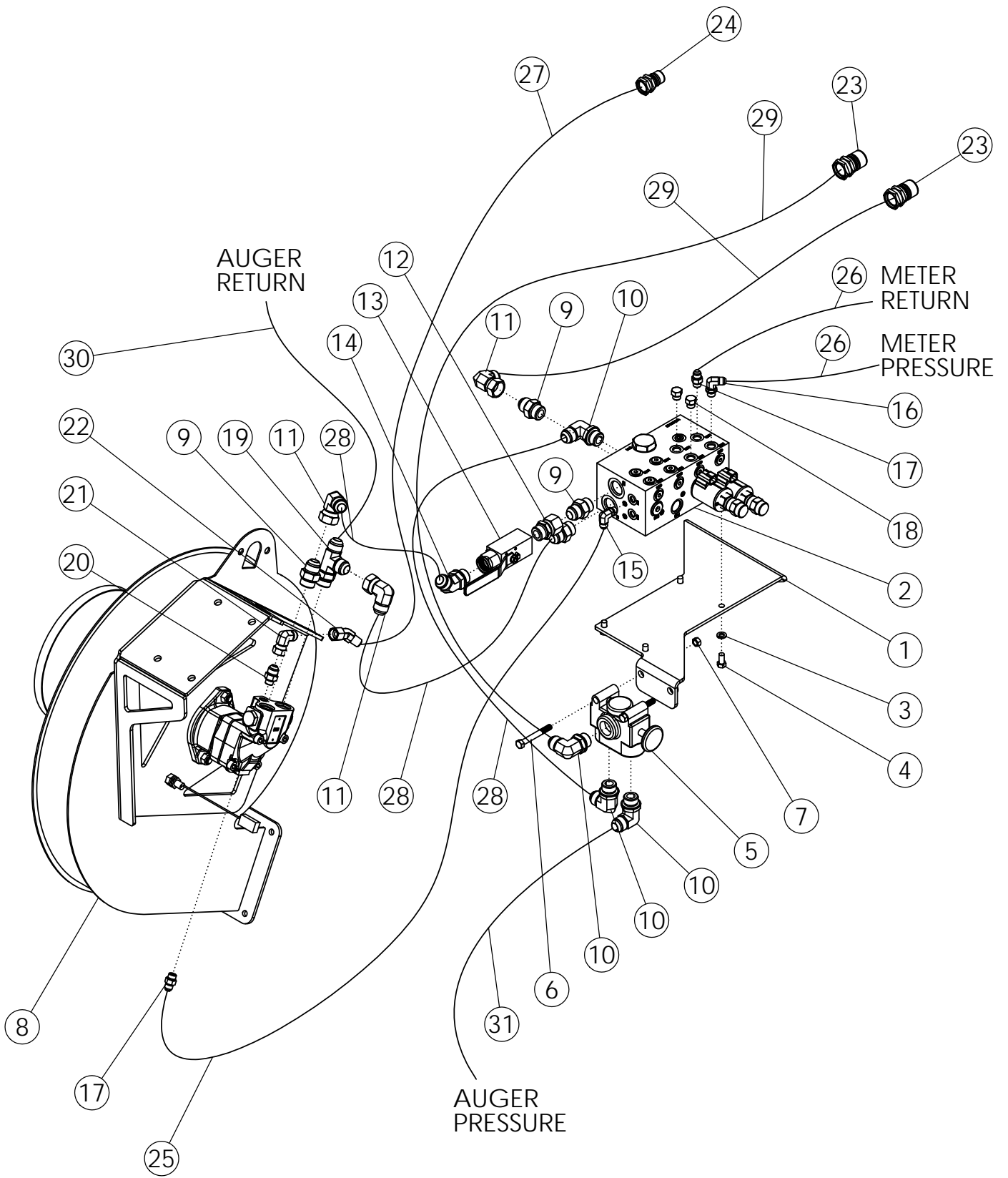
CATWALK AND LADDER ASSEMBLY

ITEM	PART NO.	DESCRIPTION	QTY
1	332183	WLDMT-2250 CATWALK	1
2	1011606	BOLT-HEX: .50 X 1.25 NC GR5 ZP	8
3	1014443	WASHER-FLAT: .50 ZP	10
4	1027461	NUT-TOPLOCK: .50 NC GR5 ZP	20
5	332208	WLDMT-CATWALK TUBE MOUNT	2
6	1011607	BOLT-HEX: .50 x 1.50 NC GR5 ZP	6
7	1017526	BOLT-HEX .63 X 2.25 NC GR5 ZP	4
8	1016595	NUT-TOPLOCK: .63 NC GR5 ZP	8
9	332207	PLATE-MAIN LADDER MOUNT	2
10	1013918	BOLT-HEX .63 X 1.750 NC GR5 ZP	4
11	332206	PLATE-LADDER STABILIZER	1
12	65607	LADDER- TOP	1
13	1011096	BOLT-HEX: .50 X 1.00 NC GR5 ZP	4
14	65617	WLDMT-LOWER LADDER	1
15	62412	BOLT-HEX: .75 X 1.75 NC GR5 ZP	2
16	1017000	NUT-TOPLOCK: .75 NC GR5 ZP	2
17	332191	WLDMT-LADDER EXTENSION	1
18	332230	WLDMT-LADDER RAIL 2250	2
19	59390	BOLT-HEX: .38 X 2.25 NC GR5 ZP	8
20	1016999	NUT-TOPLOCK: .38 NC GR5 ZP	24
21	37399	WLDMT-FRONT HANDRAIL	2
22	37369	WLDMT-BACK HANDRAIL	1
23	332187	WLDMT-2250 SIDE HANDRAIL	1
24	1015174	BOLT-HEX: .38 X 2.50 NC GR5 ZP	8
25	37367	WLDMT-KICK RAIL 20"	2
26	1011600	BOLT-HEX: .38 X 1.00 NC GR5 ZP	8
27	37661	SPRING PIN .375 X 2.50	8
28	332201	WLDMT-RAILING MID CROSS TUBE	1
29	332204	WLDMT-RAILING UPPER CROSS TUBE	1
30	1019545	BOLT-CRG: .31 X 2.00 NC GR5 ZP	8
31	1030700	NUT-TOPLOCK: .31 NC GR5 ZP	8



AIR HOSE ASSEMBLY

ITEM	PART NO.	DESCRIPTION	QTY
1	330364	ASSY-SINGLE AIR STREAM TUBE 6"	1
2	332153	WLDMT-6" SINGLE BULKHEAD	1
3	332150	WLDMT-BULKHEAD MOUNT	1
4	1011096	BOLT-HEX: .50 X 1.00 NC GR5 ZP	4
5	1027461	NUT-TOPLOCK: .50 NC GR5 ZP	8
6	320466	HOSE-KANAFLEX 100 URD 6.00 X 3 FT	1
7	36155	CLAMP-6" SPIRAL (POWER LOCK)	4
8	332179	WLDMT-FAN MOUNT	1
9	1032509	BOLT-HEX: .63 X 1.25 NC GR5 ZP	2
10	1016595	NUT-TOPLOCK: .63 NC GR5 ZP	2
11	330470	ASSY-AMITY BLOWER	1
12	1011607	BOLT-HEX: .50 x 1.50 NC GR5 ZP	4
13	330452	WLDMT-TRANSITION 3.53 X 5.91 (STRAIGHT)	1
14	330554	GASKET-FAN TRANSTION	1
15	1011601	BOLT-HEX: .38 X 1.25 NC GR5 ZP	4
16	1016999	NUT-TOPLOCK: .38 NC GR5 ZP	8
17	66010	WLDMT-MOUNT HOSE SUPPORT	1
18	66005	U-BOLT: .375 X 7.13 X 4 X 7.13	2
19	65887	WLDMT-CRADLE HOSE SUPPORT	1
20	1011600	BOLT-HEX: .38 X 1.00 NC GR5 ZP	2
21	1011576	NUT-HEX: .38 NC GR2 ZP	2

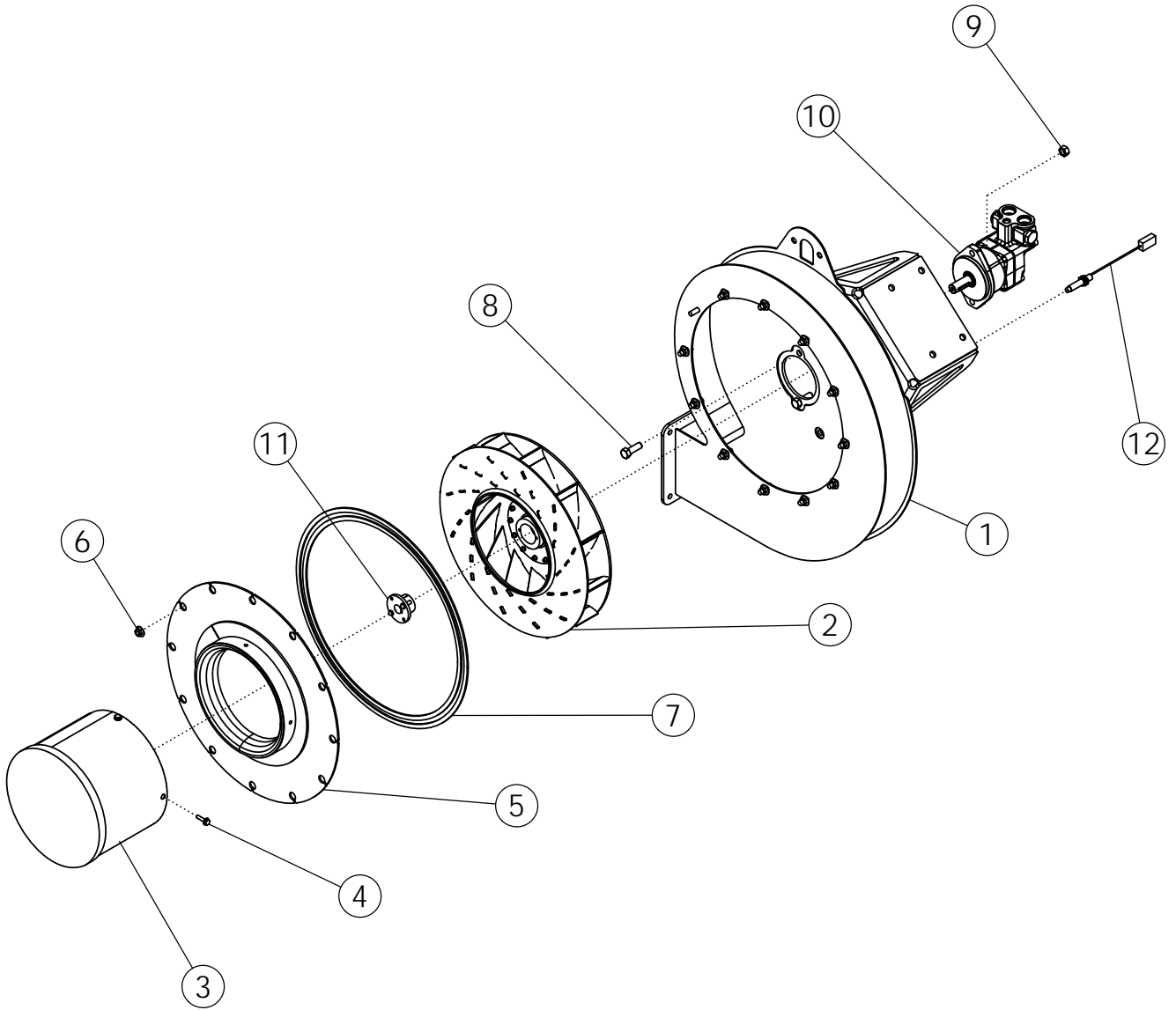


BLOWER AND DRIVE HYDRAULIC ASSEMBLY

ITEM	PART NO.	DESCRIPTION	QTY
1	332382	PLATE-2250 VALVE BLOCK MOUNT	1
2	66938	VALVE-VARIABLE RATE 2-BANK W/CHECK	1
3	1011586	WASHER-LOCK: .38 ZP	4
4	1011599	BOLT-HEX: .38 X .75 NC GR5 ZP	4
5	65846	VALVE-SELECTOR PAINTED (3-WAY)	1
6	1013239	BOLT-HEX: .38 X 3.00 NC GR5 ZP	2
7	1016999	NUT-TOPLOCK: .38 NC GR5 ZP	2
8	330470	ASSY-AMITY BLOWER	1
9	65918	FTG-ADAPTER: 12MB-12MJ	4
10	64060	FTG-ELBOW: 12MB-12MJ-90	4
11	59041	FTG-ELBOW: 12MJ-12FJX-90	3
12	66249	FTG-ADAPTER: 12MB-12FJX	1
13	33641	VALVE-BALL 3/4" SAE	1
14	63699	FTG-ELBOW: 12MB-12MJ-45	1
15	67513	FTG-ELBOW: 4MB-6MJ 90	1
16	57754	FTG-ELBOW: 6MB-6MJ 90	1
17	37259	FTG-ADAPTER: 6MB-6MJ	2
18	63033	FTG-PLUG: 6MB	2
19	66248	FTG-TEE: 12MB-12MJ-12MJ	1
20	62024	FTG-ADAPTER: 6MB-8MJ	1
21	57668	FTG-ELBOW: 8MJ-8FJX-90	1
22	57663	FTG-ELBOW: 8MJ-8FJX-45	1
23	37064	QUICK COUPLING-MALE -12-12 ORB	2
24	37065	QUICK COUPLING-MALE -10-8 ORB	1
25	56234	HOSE: .38 X 028 6FJX-6FJX	1
26	67506	HOSE: .38 X 080 6FJX-6FJX90	2
27	332514	HOSE: .50 X 242 10MB-8FJX	1
28	66245	HOSE: .75 X 024 12FJX-12FJX	3
29	332513	HOSE: .75 X 240 12FJX-12MB	2
30	65897	HOSE: .50 X 240 12FJX-12FJX	1
31	65898	HOSE: .50 X 240 12FJX-12FJX-90	1
	34818	FTG-CAP 12FJ (NO AUGER) (NOT SHOWN)	2

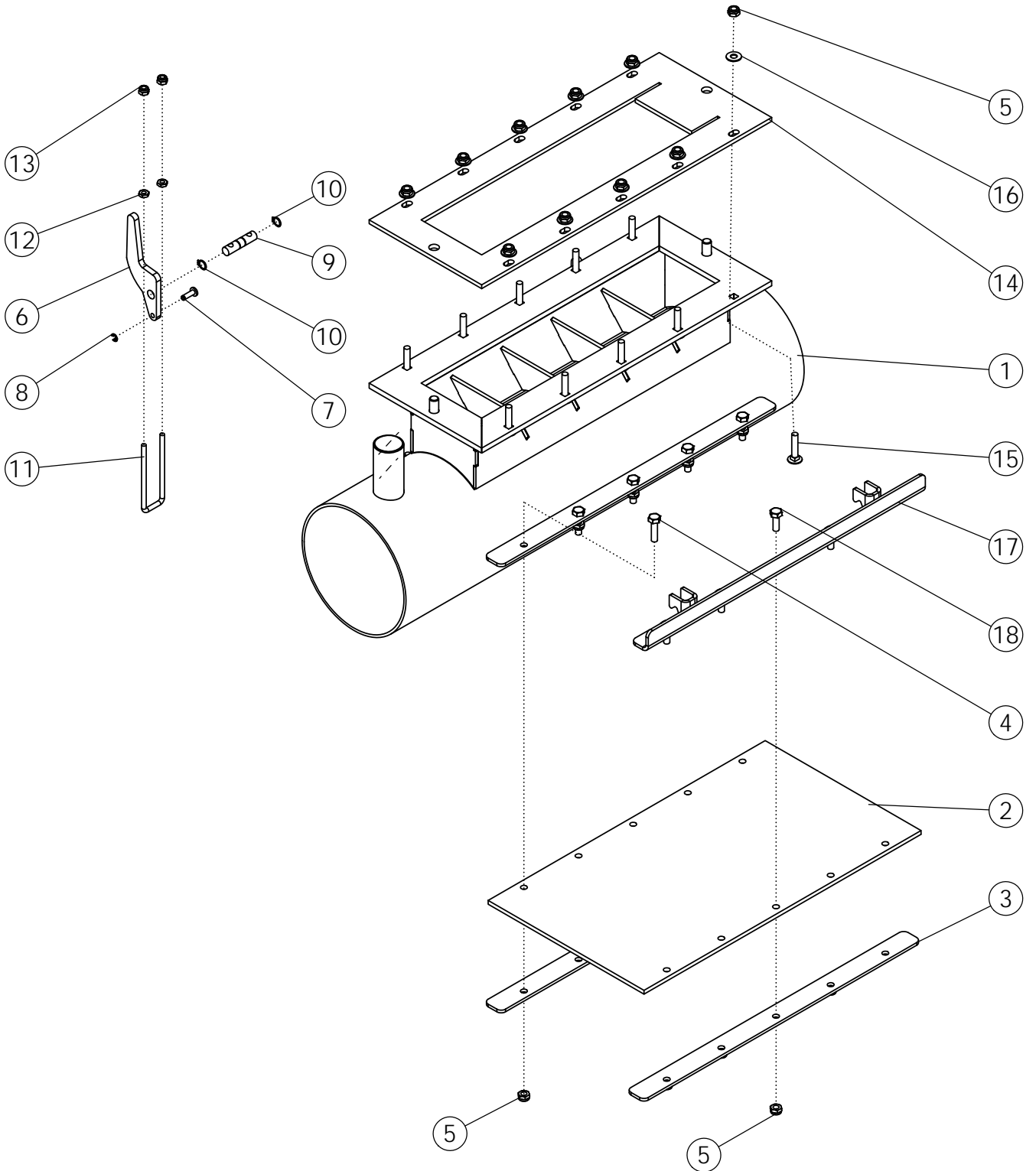
+ CASE DRAIN COUPLERS AT TRACTOR

ITEM	PART NO.	DESCRIPTION	QTY
32	69119	FTG-CASE DRAIN JD & CNH (NOT SHOWN)	AR
33	69120	FTG-MOTOR RETURN LINE (NOT SHOWN)	AR
34	66199	PIONEER TIP 8010-15 (NOT SHOWN)	AR
35	66961	FT-ADAPTER: 8FB-12MB (NOT SHOWN)	AR
36	37066	QUICK COUPL-FEMALE -12-12 ORB (NOT SHOWN)	AR
37	37067	QUICK COUPL-FEMALE -8-10 ORB (NOT SHOWN)	AR



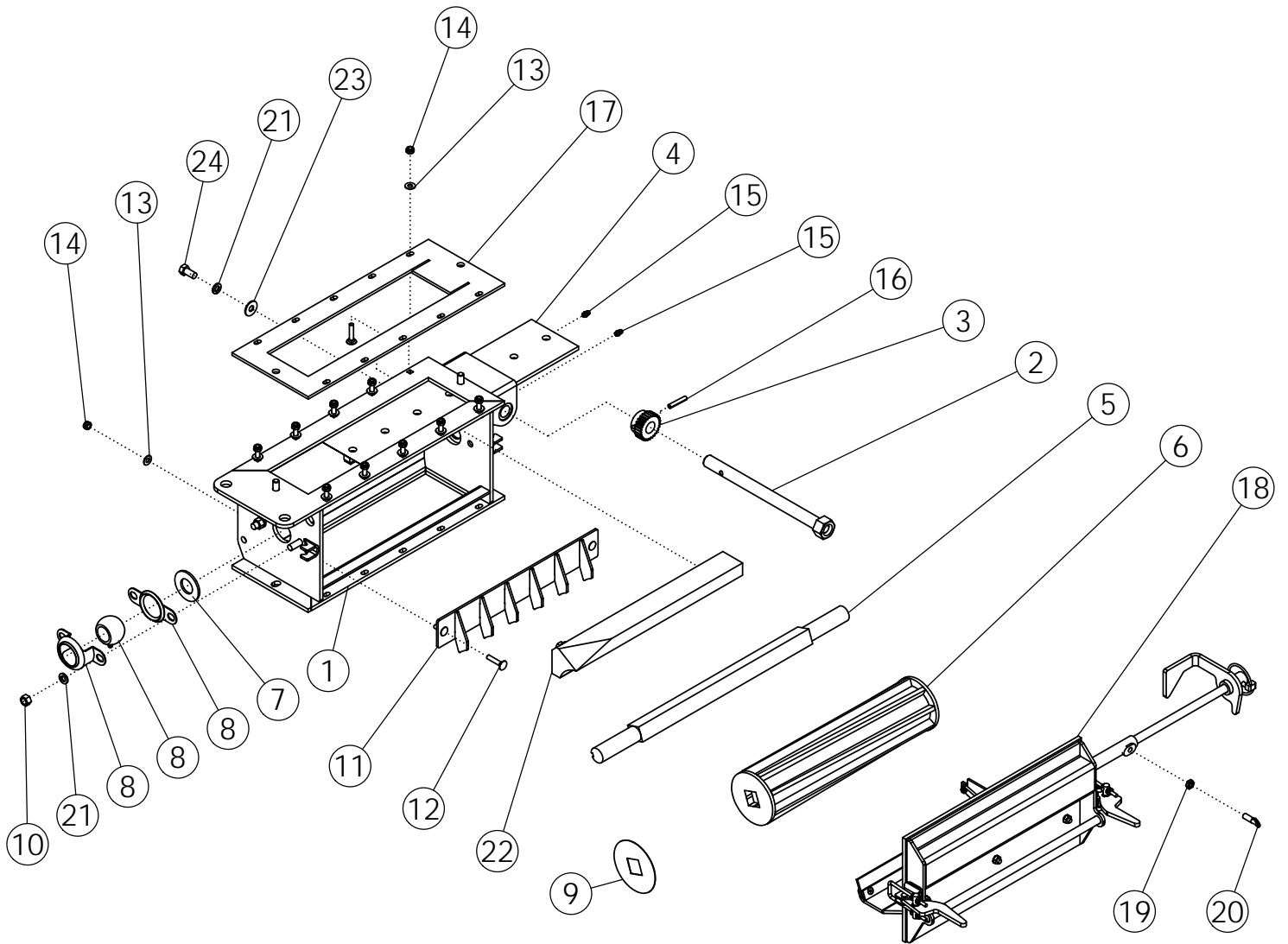
BLOWER ASSEMBLY (330470)

ITEM	PART NO.	DESCRIPTION	QTY
1	330443	WLDMT-NARROW HOUSING	1
2	330415	ROTOR-REM RT176CW BALANCED W/TARGETS	1
3	330416	SCREEN-INLET REM RT176CW	1
4	63671	BOLT-FLG: .25 X 1.00 NC GR5 ZP LOCK	4
5	330560	WLDMT-BELL INLET REM RT176CW FLUSH	1
6	330419	NUT-FLANGE SERR .38 NC ZP GR2	12
7	330418	NEOPRENE-1/8 X 3/8	10.5
8	1011607	BOLT-HEX: .50 x 1.50 NC GR5 ZP	2
9	1027461	NUT-TOPLOCK: .50 NC GR5 ZP	2
10	66244	MOTOR-HYDRAULIC W/CHECK PAINTED	1
	66752	SEAL-MOTOR SHAFT	
	1021978	SEAL KIT: HYD MOT	
	330499	KEY-6MM X 6MM X 35 MM ROUNDED	
11	330381	BUSHING-SPLIT TAPER H X 20MM W/ HRDWR	1
12	66510	SENSOR-FAN SPEED (ISO)	1



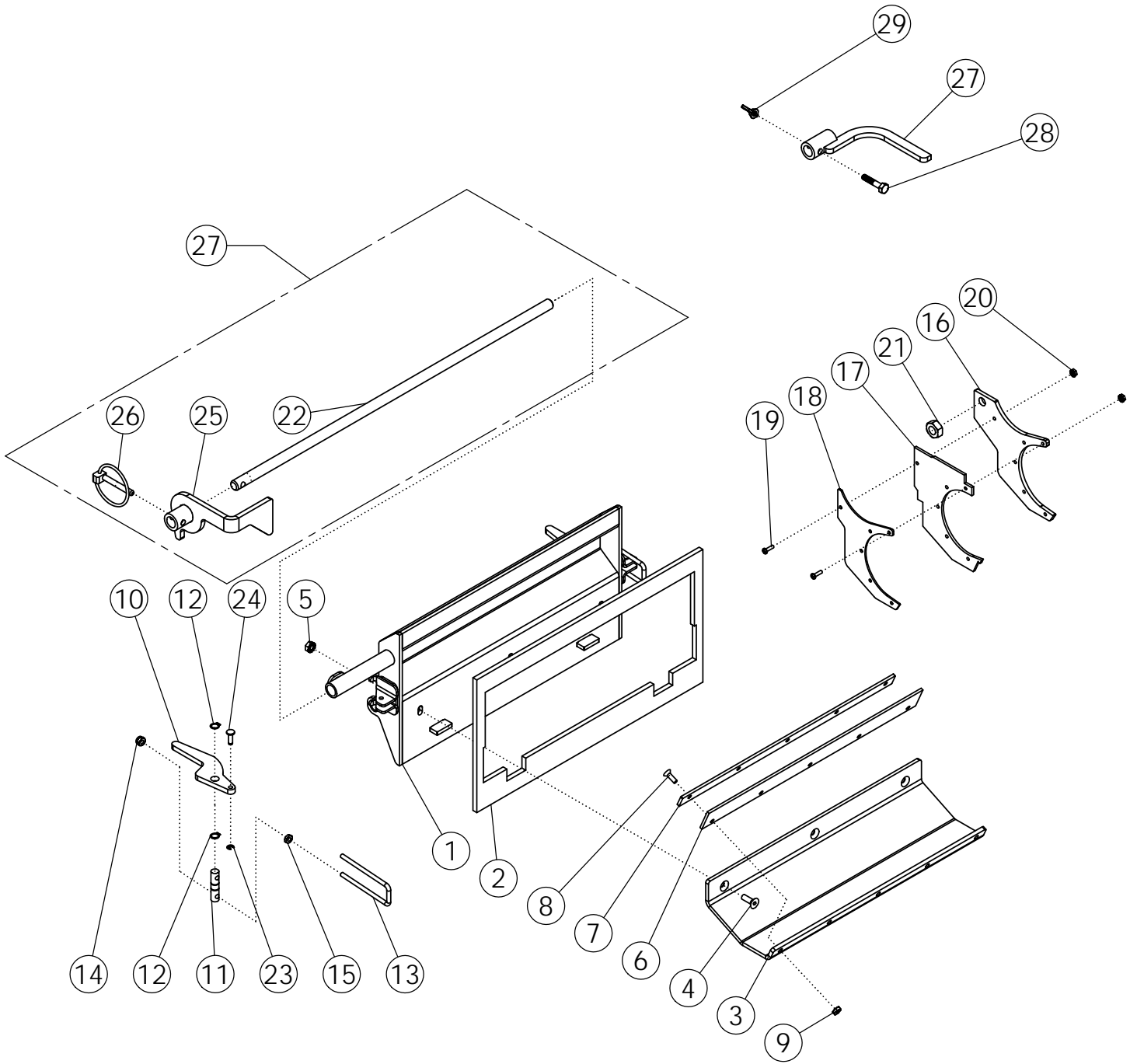
SINGLE AIRSTREAM ASSEMBLY

ITEM	PART NO.	DESCRIPTION	QTY
1	330359	WLDMT-SINGLE STREAM TUBE 6"	1
2	65708	RUBBER-CLEANOUT DOOR	1
3	65629	PLATE-CLEANOUT RETAINER	2
4	66077	BOLT-HEX: SS .25 X 1.00 NC	5
5	1033269	NUT-NYLOCK: SS .25 NC GR2	20
6	65640	PLATE-METER CLAMP HANDLE	2
7	67497	PIN-METER LATCH SS	2
8	67498	E-CLIP .188 SS	2
9	65639	SHAFT-METER LATCH	2
10	67499	RING-RETAINING .375 SS	4
11	65655	U-BOLT: .1875 X 3.25 X .875 X 3.25 SS	2
12	65348	NUT-HEX: #10-24 SS	4
13	65712	NUT-NYLOCK: #10-24 SS	4
14	65512	GASKET-SEEDBOX	1
15	66043	BOLT-CRG: SS .250 X 1.25 NC	10
16	65695	WASHER-FLAT: .25 SS	10
17	65626	WLDMT-ANGLE LATCH	1
18	1033270	BOLT-HEX: SS .25 X .75 NC	5
19	64504	SEALANT-PROGLAZE (300ML/TUBE)	1



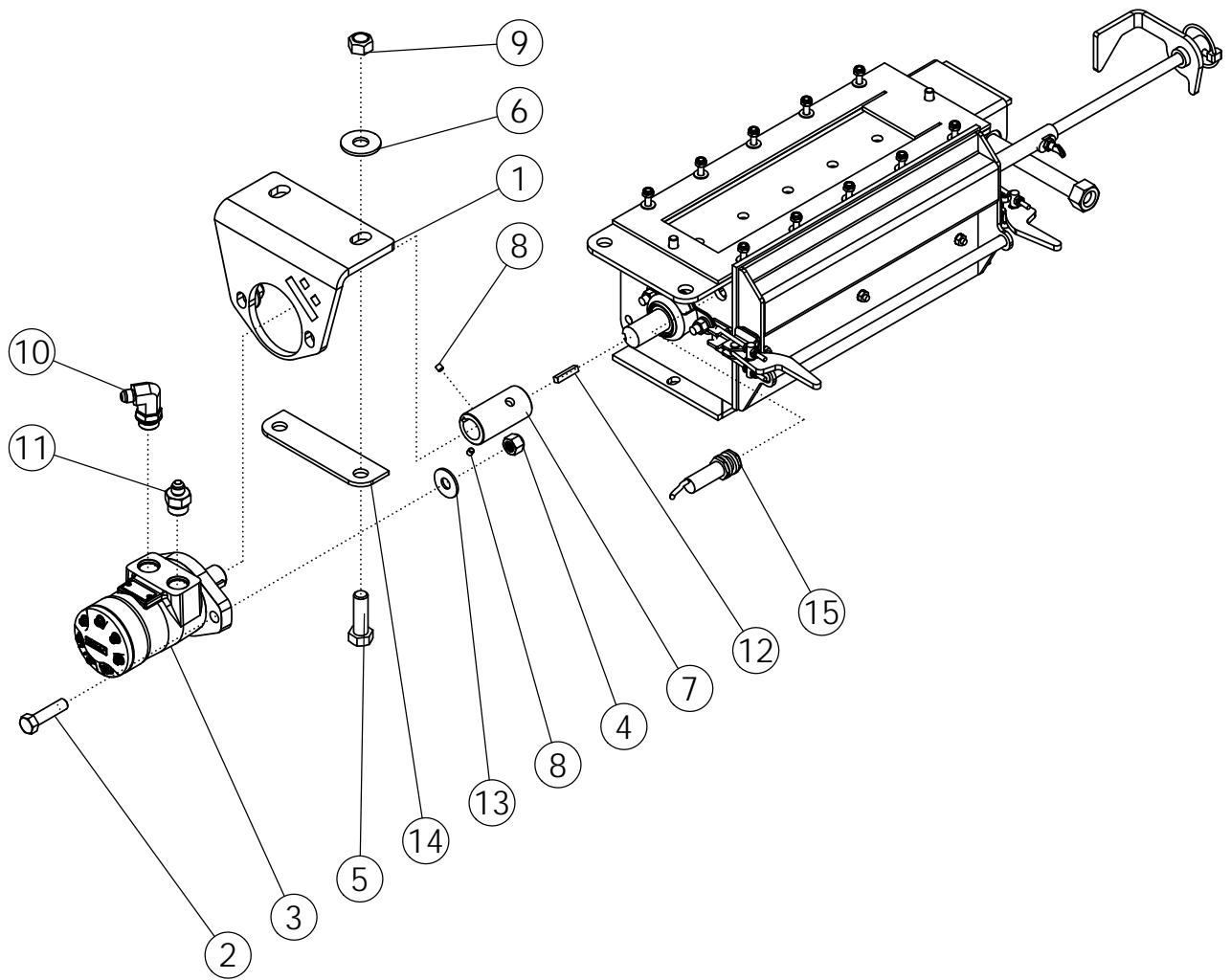
METER BOX ASSEMBLY

ITEM	PART NO.	DESCRIPTION	QTY
1	67242	WLDMT-METER BOX FLAT BTM	1
2	65630	WLDMT-BOLT-SS PIN ADJUSTMENT	1
3	65707	PINION-SS 16DP-14.5PA, 26T, .50 FACE	1
4	65632	WLDMT-TOP SLIDE IN DOOR	1
5	34813	SHAFT-METER ROLL	1
6	65705	WLDMT-METER ROLL - HIGH VOLUME	1
	1012608	WLDMT-METER ROLL - MEDIUM VOLUME	
	33851	WLDMT-METER ROLL - LOW VOLUME	
	67639	WLDMT-METER ROLL - FINE PRODUCT	
7	1012978	WASHER-RUBBER	2
8	1012986	BEARING-FLANGE/ASSY	2
9	65744	PLATE-METER ROLL SPACER	AR
10	1032089	NUT-HEX: SS .38 NC	4
11	67484	WLDMT-MB AIR DAM	1
12	66043	BOLT-CRG: SS .250 X 1.25 NC	12
13	65695	WASHER-FLAT: .25 SS	12
14	1033269	NUT-NYLOCK: .25 NC GR2 SS	12
15	1011748	ZERK-GREASE: .25 UNF STRAIGHT	2
16	1021512	PIN-ROLL: .25 X 1.375 ZP	1
17	65512	GASKET-SEEDBOX	1
18	66306	ASSY-MB DOOR	1
19	1023719	NUT-JAM: SS .31 NC	1
20	66316	SCREW-THUMB SP HEAD .313-18 X .75SS	1
21	65706	WASHER-LOCK: SS .375	6
22	66062	BLOCK-METER TOP	1
23	65778	WASHER-FLAT: .38 SS	2
24	66375	BOLT-HEX: SS .38 X .75 NC	2



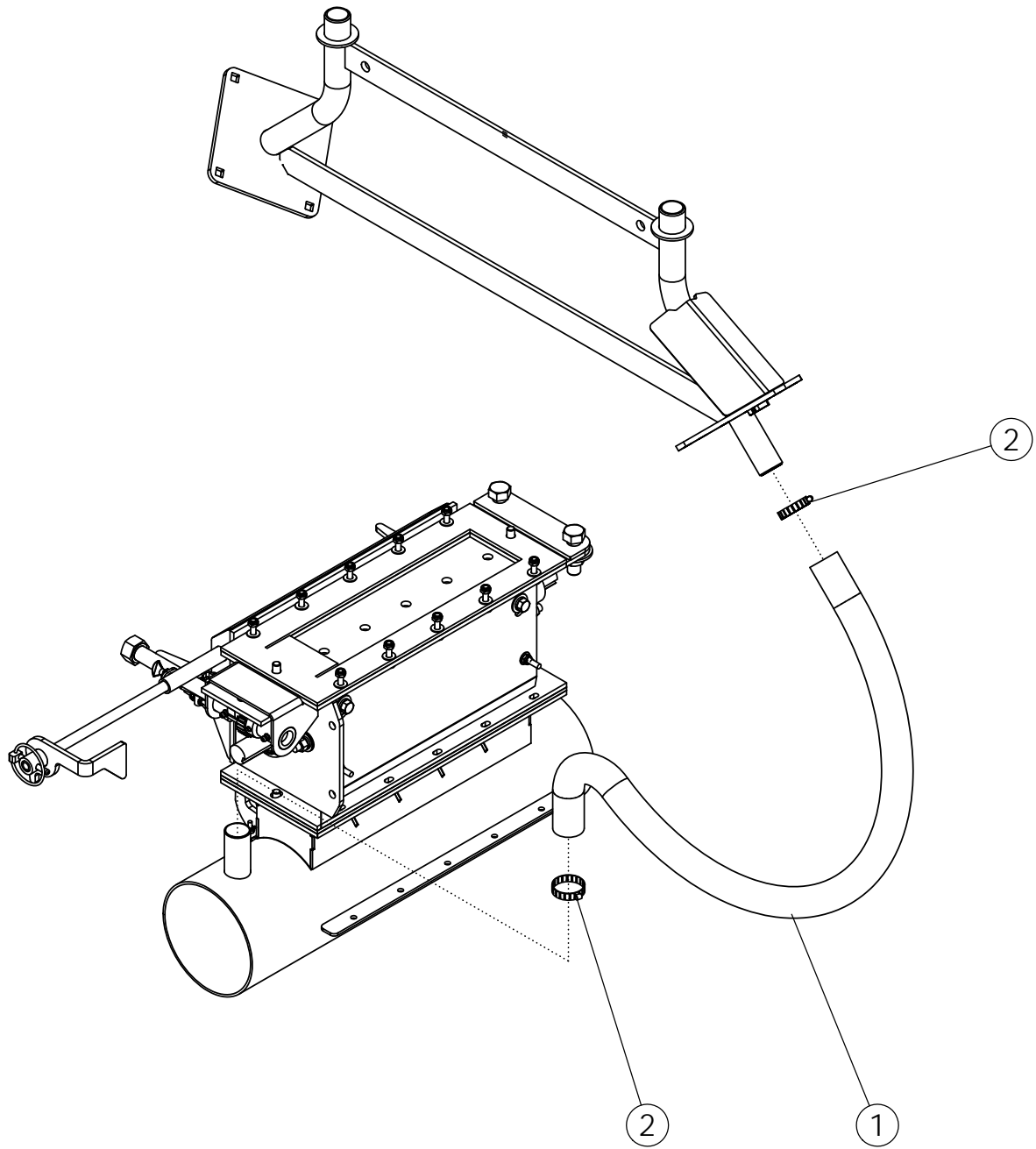
METER BOX DOOR ASSEMBLY

ITEM	PART NO.	DESCRIPTION	QTY
1	66305	WLDMT-MB DOOR	1
2	66344	GASKET-RUBBER MB DOOR	1
3	66300	PLATE-MB SEED TRAY	1
4	66347	SCREW-F-H-S-C: .25 X .750 NC SS	3
5	66348	NUT-K-LOCK: .250 NC SS	3
6	66345	WIPER-RUBBER	1
7	66310	SHEET-MB WIPER MOUNT	1
8	1032095	SCREW-F-H-S-C: .19 X .625 NC SS	5
9	1032059	NUT-K-LOCK: 18-8 SS .19 NC	5
10	65640	PLATE-METER CLAMP HANDLE TUMBLE	2
11	65639	SHAFT-METER LATCH	2
12	67499	RING-RETAINING .375 SS	4
13	65655	U-BOLT-SS .1875 X 3.25 X .875 X 3.25	2
14	65712	NUT-NYLOCK: #10-24 SS	4
15	65348	NUT-HEX: #10-24 SS	4
16	66307	PLATE-MB FLOW CONTROL	1
17	66346	SEAL-RUBBER FLOW CONTROL	1
18	66309	PLATE-MB FLOW CONTROL	1
19	1032093	SCREW-P-H: #6 X .50 NC SS	6
20	1032094	NUT-K-LOCK: #6 NC SS	6
21	1032190	NUT-JAM: .50 NC SS	1
22	65661	ROD-FLOW CONTROL	1
23	67498	E-CLIP .188 SS	2
24	67497	PIN-METER LATCH SS	2
25	34494	WLDMT-INDICATOR ST250	1
26	65311	PIN-LYNCH	1
27	34493	ASSY-FLOW CONTROL ROD ST250	1
27	332360	WLDMT-LOW PROFILE METER GATE STOP	1
28	1013940	BOLT-HEX: .25 X 1.25 NC GR5	1
29	330046	NUT-WING .250 SS	1



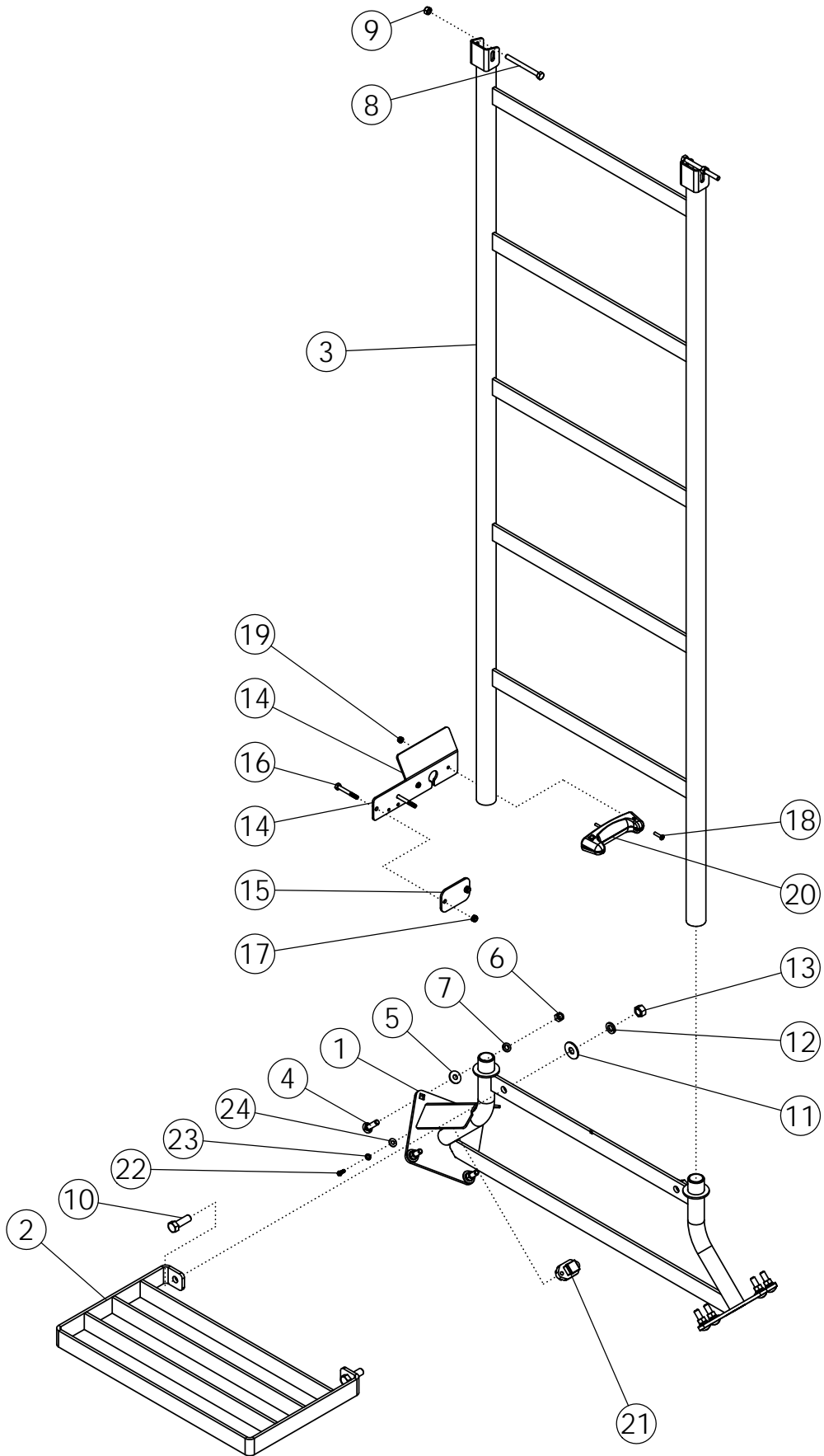
HYDRAULIC METER DRIVE ASSEMBLY

ITEM	PART NO.	DESCRIPTION	QTY
1	34038	MOUNT-HYD MOTOR METER	1
2	67063	BOLT-HEX: SS .50 X 2.00 NC	2
3	67481	MOTOR-METER DRIVE 9.7 CID W/SPEED	1
	330600	SEAL KIT FOR 67481	
	67518	SENSOR METER SPEED (NOT SHOWN)	
4	67659	NUT-NYLOCK: .50 NC GR2 SS	2
5	34808	BOLT-HEX: SS .63 X 2.00 NC	2
6	67496	WASHER-FLAT: .63 SS	2
7	65552	COUPLER	1
8	1013044	SCREW-SET: .25 X .25 NC GR8 NP	2
9	66445	NUT-NYLOCK: .63 NC GR2 SS	2
10	37042	FTG-ELBOW: 10MB-6MJ 90	1
11	66939	FTG-ADAPTER: 6MJ-10MB	1
12	65715	KEY .250 X .250 X 1.250 SS	1
13	37356	WASHER-FLAT: .50 SS	2
14	66381	PLATE-MB CLAMP SPACER	1
15	66511	SENSOR-MB TURCK (WITH END)	1



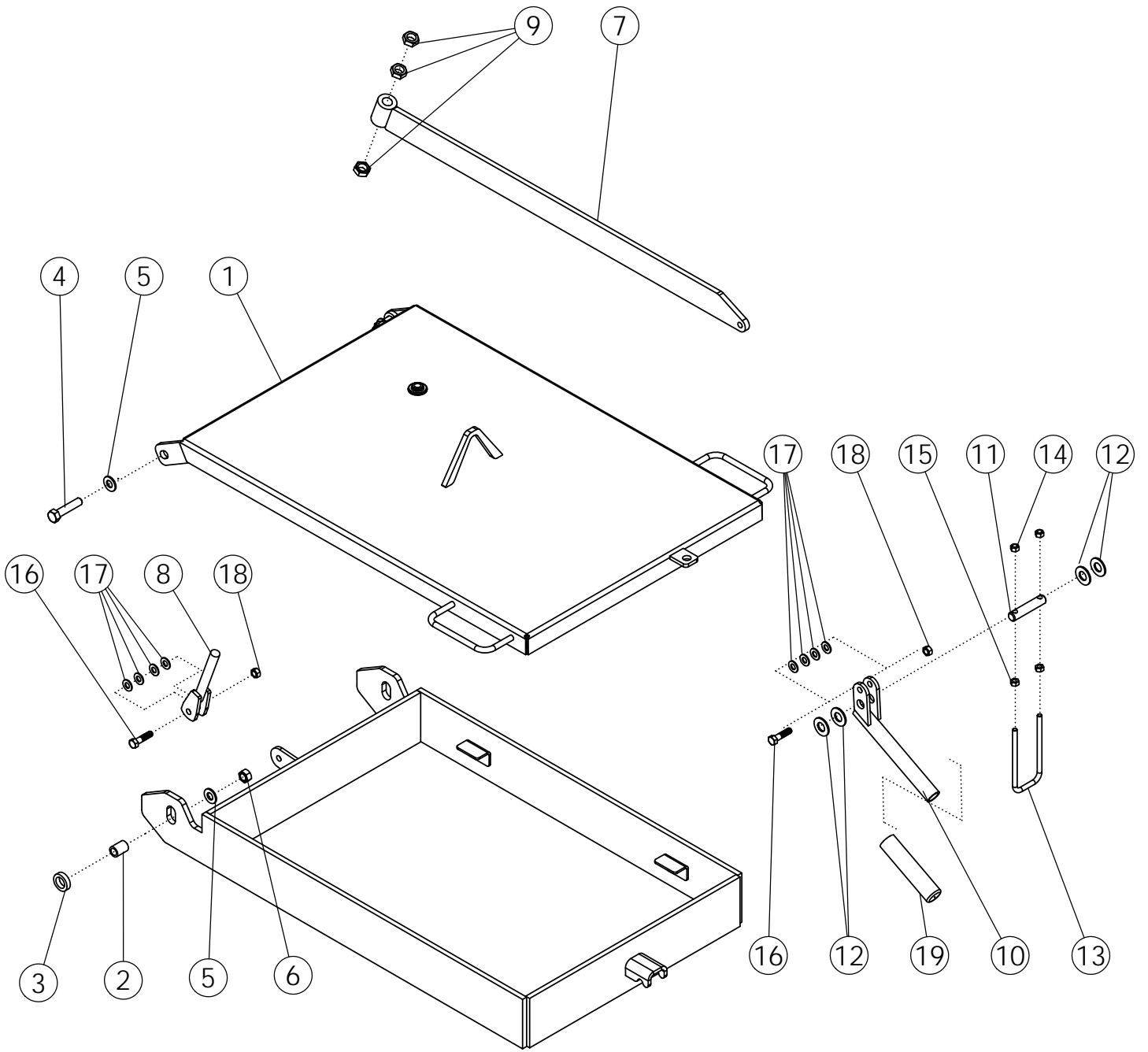
PRESSURIZATION KIT

ITEM	PART NO.	DESCRIPTION	QTY
1	37760	HOSE-HANAFLEX 112 1.25 X 48"	1
2	1026358	CLAMP-HOSE: #16 .081-1.50	2



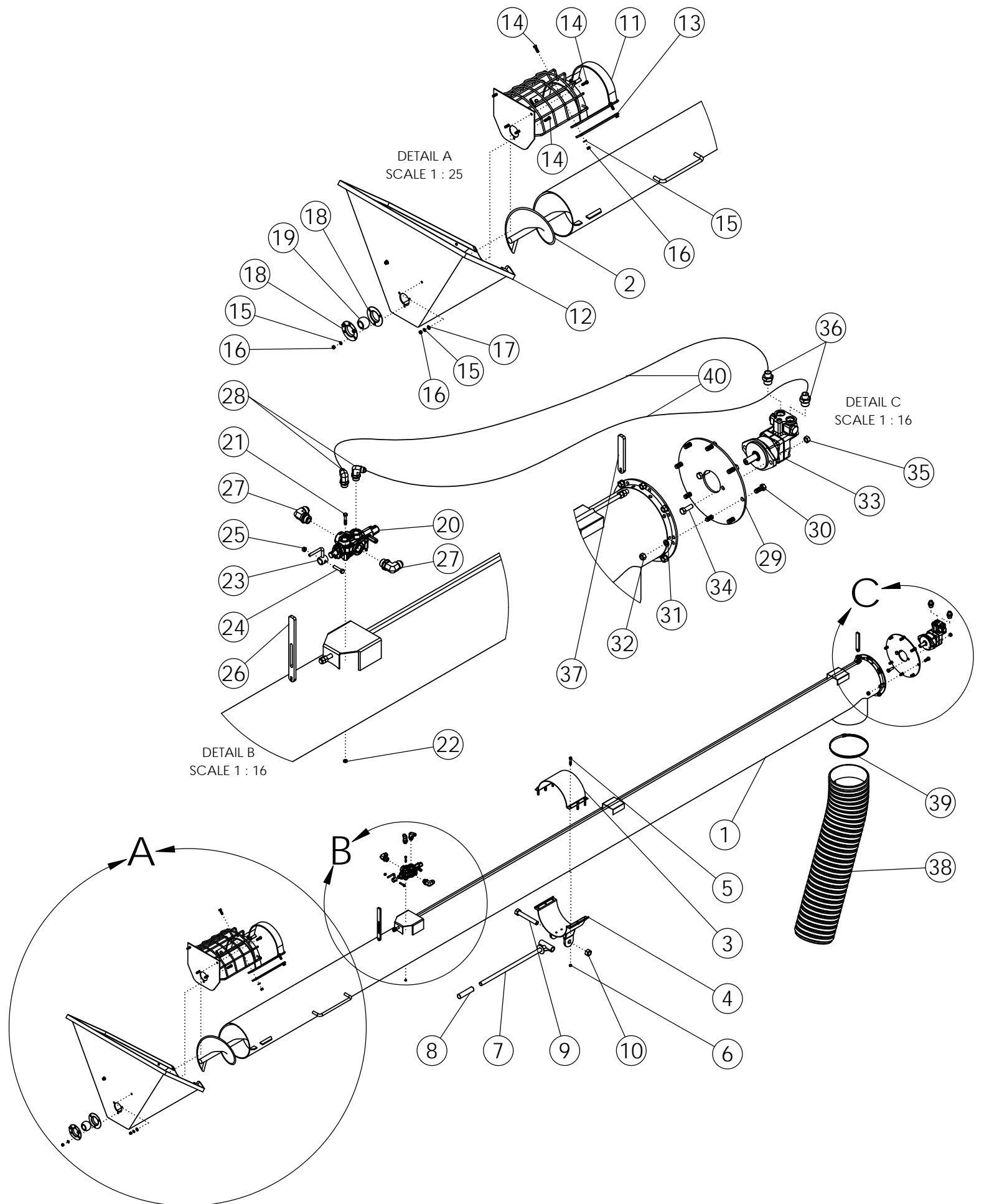
TANK LADDER ASSEMBLY

ITEM	PART NO.	DESCRIPTION	QTY
1	37481	WLDMT-LOWER LADDER SS	1
2	37148	WLDMT-LADDER PLATFORM SS	1
3	37482	WLDMT-UPPER LADDER SS	1
4	37357	BOLT-CRG:SS .38 X 1.50 NC	8
5	65778	WASHER-FLAT: .38 SS	8
6	1032089	NUT-HEX: SS .38 NC	8
7	65706	WASHER-LOCK: SS .375	8
8	37495	BOLT-HEX: .31 X 3.50 SS	2
9	37494	NUT-NYLOCK: .31 NC SS	2
10	37763	BOLT-HEX:SS .50 X 1.50 NC GR5 ZP	2
11	37356	WASHER-FLAT: .50 SS	2
12	37355	WASHER-LOCK: .50 SS	2
13	1032090	NUT-HEX: SS .50 NC	2
14	65836	MOUNT-BIN LEVEL SENSOR	1
15	65837	PLATE-BOLTING	1
16	65838	BOLT-HEX: SS .25 X 2.00 NC	2
17	1033269	NUT-NYLOCK: .25 NC GR2 SS	2
18	65839	SCREW-P-H: #10 X .75 NC SS	2
19	65712	NUT-NYLOCK: #10-24 SS	2
20	66509	BIN LEVEL SENSOR	1
21	37034	HARNESS-TANK BULKHEAD	1
22	37492	BOLT-HEX: SS M5-0.8 X 16 MM NC	2
23	65696	WASHER-LOCK: SS .25	2
24	65695	WASHER-FLAT: .25 SS	2



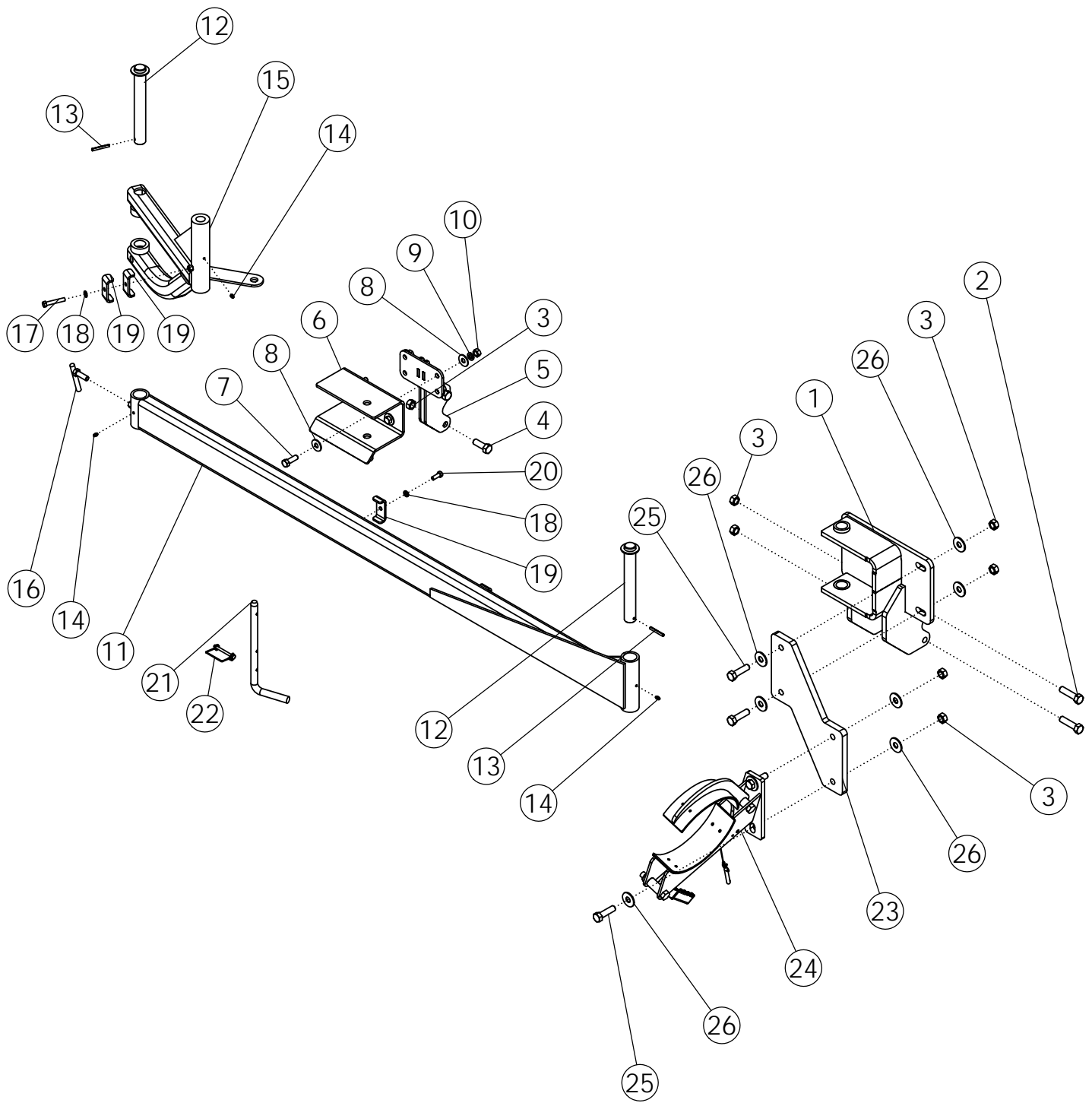
TOP DOOR ASSEMBLY

ITEM	PART NO.	DESCRIPTION	QTY
1	65558	WLDMT-TOP DOOR	1
2	65555	TUBE-SPACER ZP	2
3	65554	TUBE-SPACER 1.25 X .75 X .313L ZP	2
4	1017708	BOLT-HEX: .50 x 2.25 NC GR5 ZP	2
5	1011584	WASHER-FLAT: SAE .50 ZP	4
6	1027461	NUT-TOPLOCK: .50 NC GR5 ZP	2
7	67064	WLDMT-CLAMP BAR LEVER ZP	1
8	65556	ROD-ADJUSTMENT ZP	1
9	1026259	NUT-JAM: .63 NC GR2 ZP	3
10	65557	WLDMT-CLAMP ADJ TUBE ZP	1
11	65560	PIN-CLAMP LEVER ZP	1
12	1013004	WASHER-FLAT: SAE .63 ZP	4
13	65656	U-BOLT: .313 X 5.00 X 2 X 5.00	1
14	1030700	NUT-TOPLOCK: .31 NC GR5 ZP	2
15	1011575	NUT-HEX: .31 NC GR2 ZP	2
16	1011602	BOLT-HEX: .38 X 1.50 NC GR5 ZP	2
17	1014608	WASHER-FLT: SAE .38 ZP	8
18	1016999	NUT-TOPLOCK: .38 NC GR5 ZP	2
19	65902	GRIP-BLACK 1" ID X 5.06"L	1
20	66078	PLUG-PIPE .25 NPT ALLEN HEAD SS (NOT SHOWN)	1
21	64504	SEALANT-PROGLAZE (NOT SHOWN)	100ml
22	1026562	SCREEN BASKET (OPTIONAL - NOT SHOWN)	1
23	65722	GASKET-RUBBER DOOR (NOT SHOWN)	1



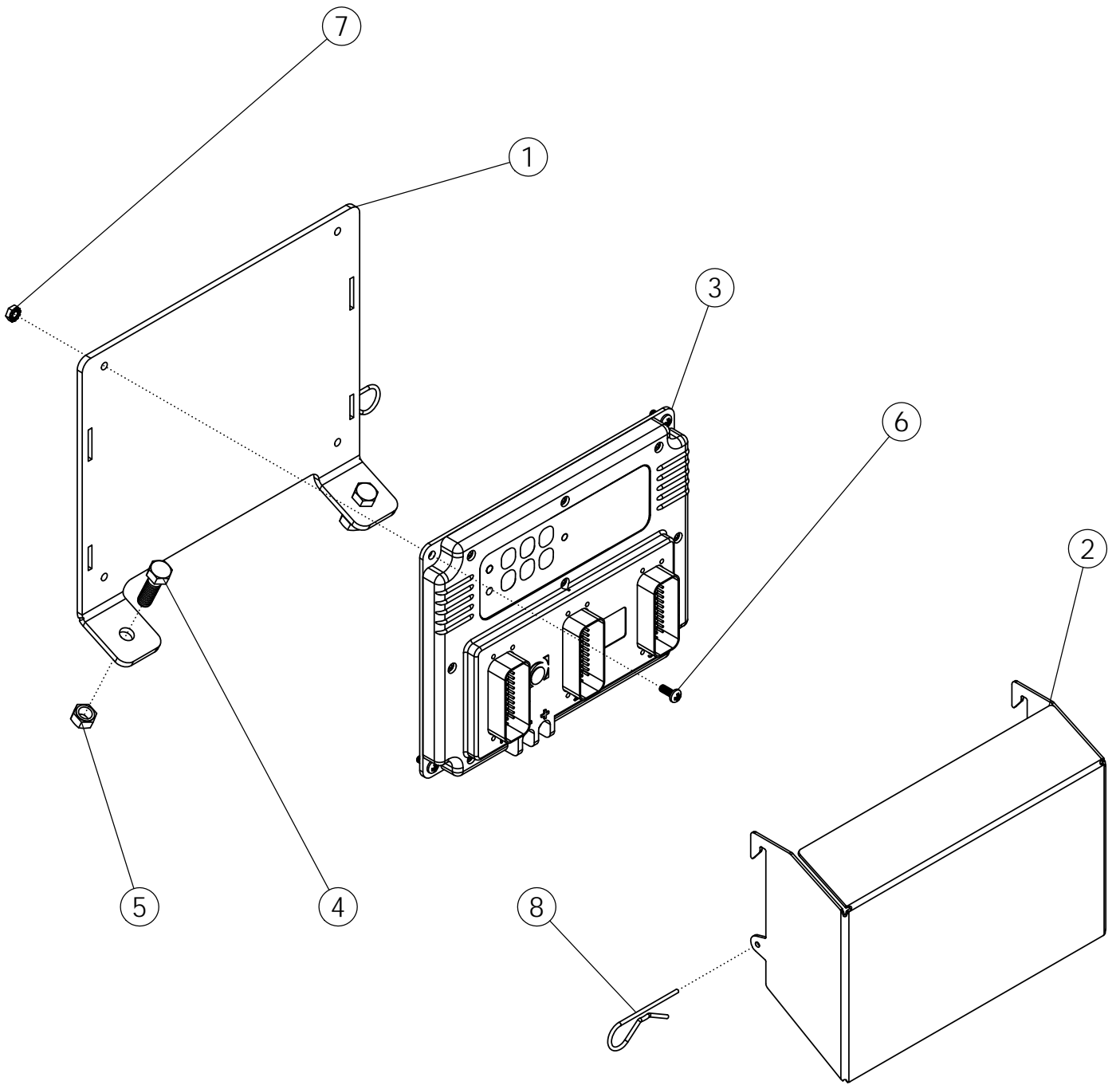
AUGER AND HYDRAULICS ASSEMBLY

ITEM	PART NO.	DESCRIPTION	QTY
1	66103	TUBE-AUGER 10" X 20 FT	1
2	66104	FLIGHTING-POLY 9" X 21 FT(BLACK)	1
	66260	FLIGHTING-9" DIA X 6" L (REPLACEMENT SECTION)	REF
3	66253	CLAMP-TOP BRACKET 10"	1
4	66254	CLAMP-BOTTOM BRACKET 10"	1
5	1011725	BOLT-HEX: .38 X 2.00 NC GR5 ZP	6
6	1016999	NUT-TOPLOCK: .38 NC GR5 ZP	6
7	65475	WLDMT-PIVOT TUBE ZP	1
8	64505	GRIP-HANDLE RED 1" ID X 5.06" L	1
9	65721	BOLT-HEX: 1.00 X 7.00 NC GR5 ZP	1
10	1016969	NUT-TOPLOCK: 1.00 NC GR5 ZP	1
11	66258	MOUNT-HOPPER 10"	1
12	66277	HOPPER-POLY 10"	1
13	65913	PLATE-BACKING HOPPER MOUNT ZP	2
14	1011601	BOLT-HEX: .38 X 1.25 NC GR5 ZP	9
15	1011586	WASHER-LOCK: .38 ZP	9
16	1011576	NUT-HEX: .38 NC GR2 ZP	9
17	1014608	WASHER-FLT: SAE .38 ZP	2
18	65914	BEARING-FLANGE	2
19	65915	BEARING-WOOD 1.25"	1
20	65845	VALVE-CONTROL 4 WAY PAINTED	1
21	1019550	BOLT-HEX: .25 X 1.50 NC GR5 ZP	3
22	1030946	NUT-TOPLOCK: .25 NC GR5 ZP	3
23	66107	HANDLE-AUGER VALVE ZP	1
24	1014124	BOLT-HEX: .31 X 1.50 NC GR5 ZP	1
25	1030700	NUT-TOPLOCK: .31 NC GR5 ZP	1
26	66442	BOTTOM HANDLE	1
27	64060	FTG-ELVOW: 12MB-12MJ-90	2
28	65901	FTG-ELBOW: 10MB-8MJ-90	2
29	66257	PLATE-MOTOR MOUNT 10"	1
30	1011606	BOLT-HEX: .50 X 1.25 NC GR5 ZP	8
31	1011581	WASHER-LOCK: .50 ZP	8
32	1011577	NUT-HEX: .50 NC GR2 ZP	8
33	1032092	MOTOR-HYDRAULIC PAINTED W/SEAL	1
	1023837	SEAL-KIT: CHARLYNN 61258	
34	1011607	BOLT-HEX: .50 x 1.50 NC GR5 ZP	2
35	1027461	NUT-TOPLOCK: .50 NC GR5 ZP	2
36	58195	FTG-ADAPTER: 10MB-8MJ	2
37	66443	TOP HANDLE	1
38	66102	HOSE-FLEX SPOUT 10" X 48"	1
39	66256	CLAMP-HOSE: #188 9.38-12.25	1
40	66317	HOSE: .50 X 192 8FJX-8FJX-90	2



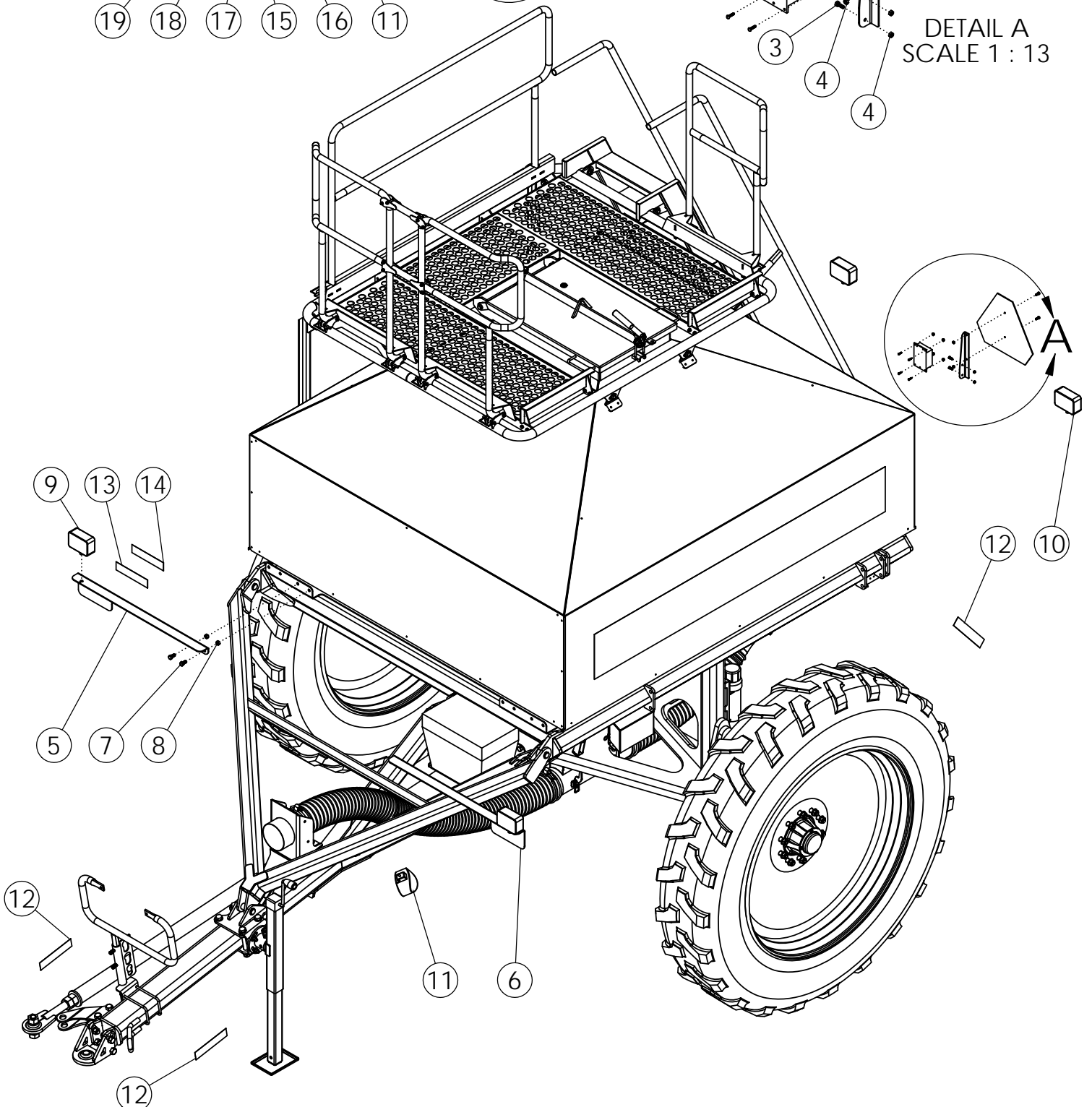
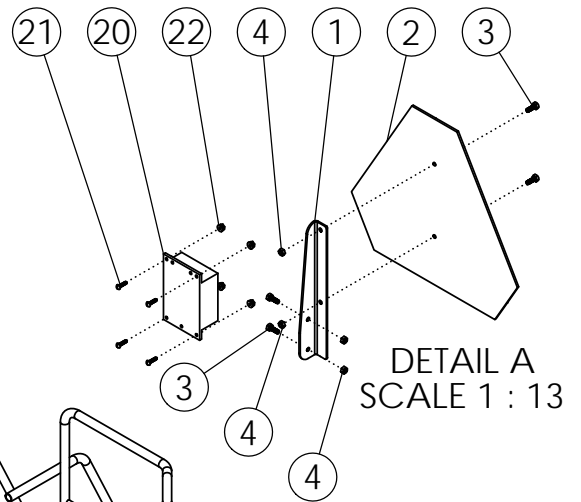
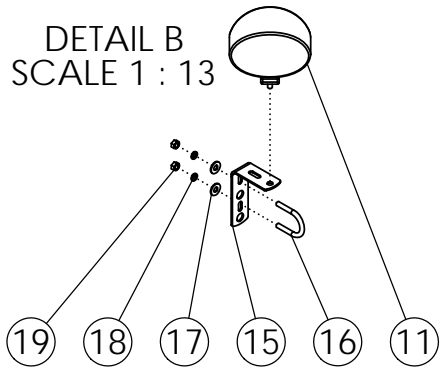
AUGER MOUNT ASSEMBLY

ITEM	PART NO.	DESCRIPTION	QTY
1	332220	WLDMT-AUGER PIVOT MOUNT	1
2	1013023	BOLT-HEX: .63 X 2.50 NC GR5 ZP	2
3	1016595	NUT-TOPLOCK: .63 NC GR5 ZP	10
4	1013918	BOLT-HEX .63 X 1.750 NC GR5 ZP	4
5	332224	WLDMT-AUGER REST MOUNT	1
6	65486	WLDMT-AUGER BRACKET PAINTED	1
7	1011607	BOLT-HEX: .50 x 1.50 NC GR5 ZP	4
8	1014443	WASHER-FLAT: .50 ZP	8
9	1011581	WASHER-LOCK: .50 ZP	4
10	1027461	NUT-TOPLOCK: .50 NC GR5 ZP	4
11	65462	ASSY-LONG AUGER MOUNT	1
12	65479	WLDMT - PIN ZP	2
13	1011726	PIN-ROLL: .25 X 2.00 NP	2
14	1011747	ZERK-GREASE: .25 UNF 90 DEG	3
15	331405	WLDMT-AUGER ARM SHORT	1
16	65488	WLDMT-HANDLE ZP	1
17	59390	BOLT-HEX: .38 X 2.25 NC GR5 ZP	1
18	1011586	WASHER-LOCK: .38 ZP	3
19	50714	CLAMP .50 ZP	4
20	1011600	BOLT-HEX: .38 X 1.00 NC GR5 ZP	2
21	65487	PIN-LOCK ZP	1
22	33065	PIN-SPRING .250 X 2.50 TAB-LOCK	1
23	66321	PLATE-EXTENSION REAR CLAMP	1
24	66255	ASSY-CLAMP 10"	1
25	1017526	BOLT-HEX .63 X 2.25 NC GR5 ZP	4
26	1013024	WASHER-FLAT: .63 ZP	8



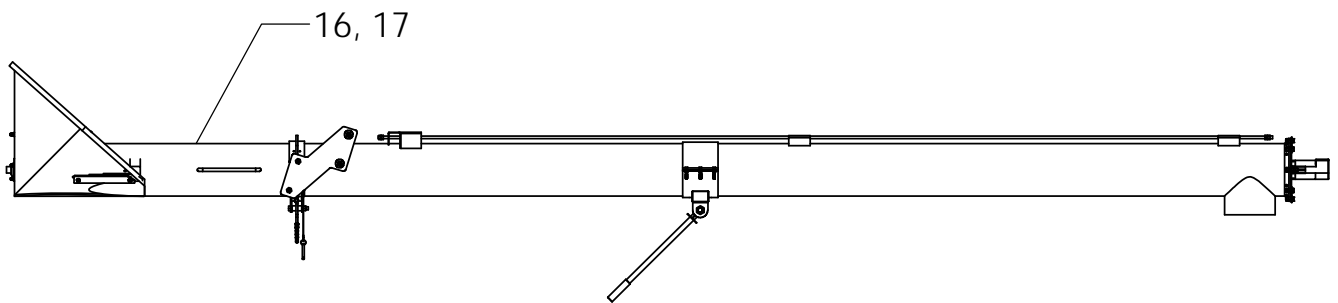
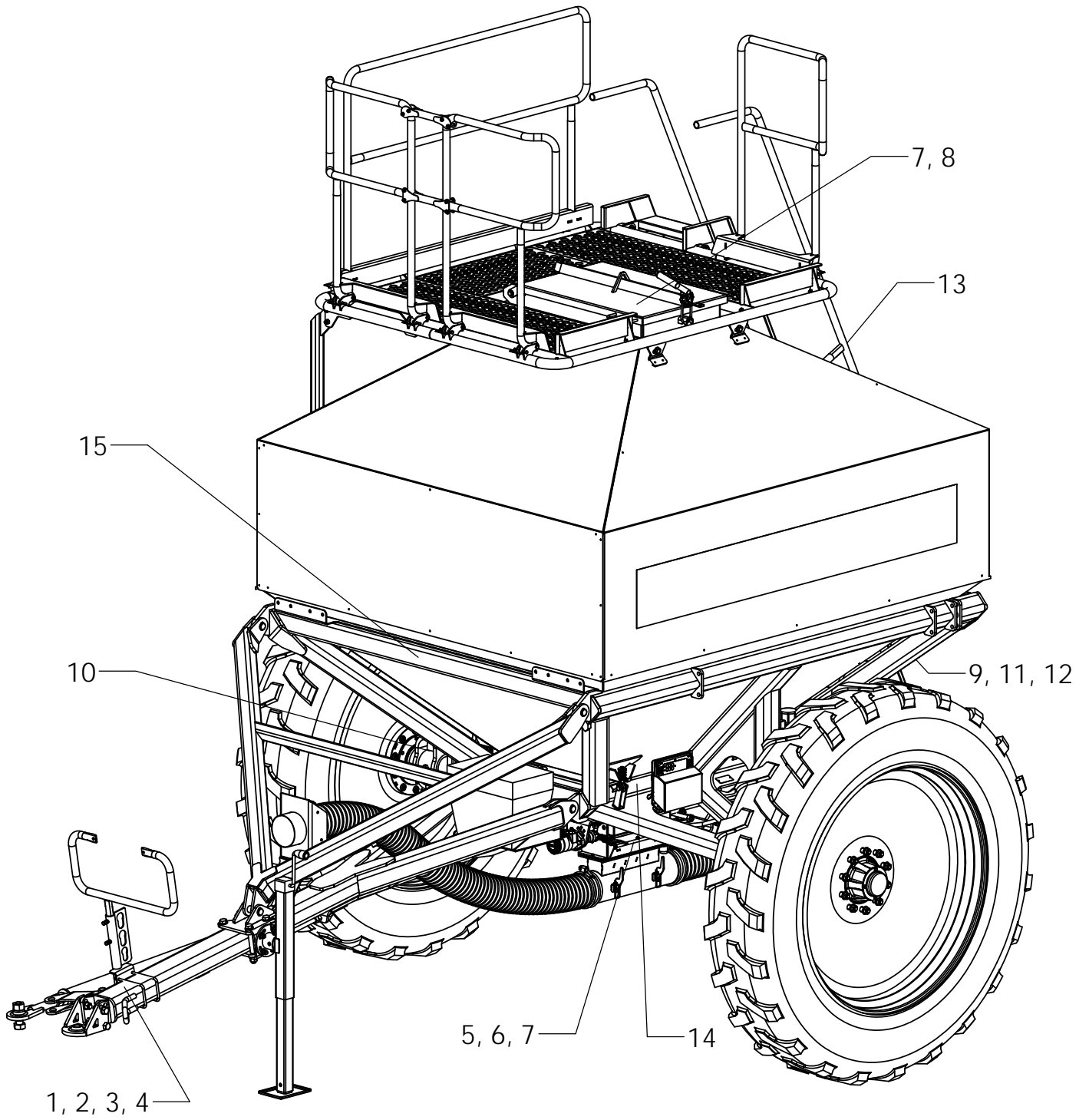
ECU ASSEMBLY AND HARNESSSES

ITEM	PART NO.	DESCRIPTION	QTY
1	332264	PLATE-2250 ECO MOUNT	1
2	330298	COVER-ECU TANK	1
3	330339	MODULE-CART W/SW - V3_02	1
4	1011601	BOLT-HEX: .38 X 1.25 NC GR5 ZP	2
5	1016999	NUT-TOPLOCK: .38 NC GR5 ZP	2
6	66353	BOLT: .19 X .50 NC SS	4
7	1032059	NUT-K-LOCK: 18-8 SS .19 NC	4
8	1012901	PIN-HAIR: .13 X 2.50 ZP	2
9	67643	HARNESS-TANK (NOT SHOWN)	1
10	67647	HARNESS-TERMINATING ADAPTER (NOT SHOWN)	1
11	67492	HARNESS-ISO TANK COMPNT SHORT (NOT SHOWN)	1
12	330557	HARNESS-WS JUMPER, CART (NOT SHOWN)	1
13	67494	HARNESS-ISO 3 WAY MOTOR ADAPTER (NOT SHOWN)	1
14	37035	HARNESS-BIN SENSOR (NOT SHOWN)	1
15	67489	HARNESS-METER SPEED (NOT SHOWN)	1
16	67648	PLUG-TBC (NOT SHOWN)	1
17	33005	SENSOR-SPEED GPS GARMIN ASTRO 5 (NOT SHOWN)	1
18	67223	ADAPTER-GPS SPEED SENSOR (DEUTSCH) (NOT SHOWN)	1
19	66585	CLIP-WIRE HRNS PURSE LCK WHITE (NOT SHOWN)	11
20	66323	CLIP-WIRE HARNESS (NOT SHOWN)	6
21	67514	MOUNT-WIRE 1/4" (NOT SHOWN)	4
22	67515	MOUNT-WIRE 3/8" W/INSERT (NOT SHOWN)	1



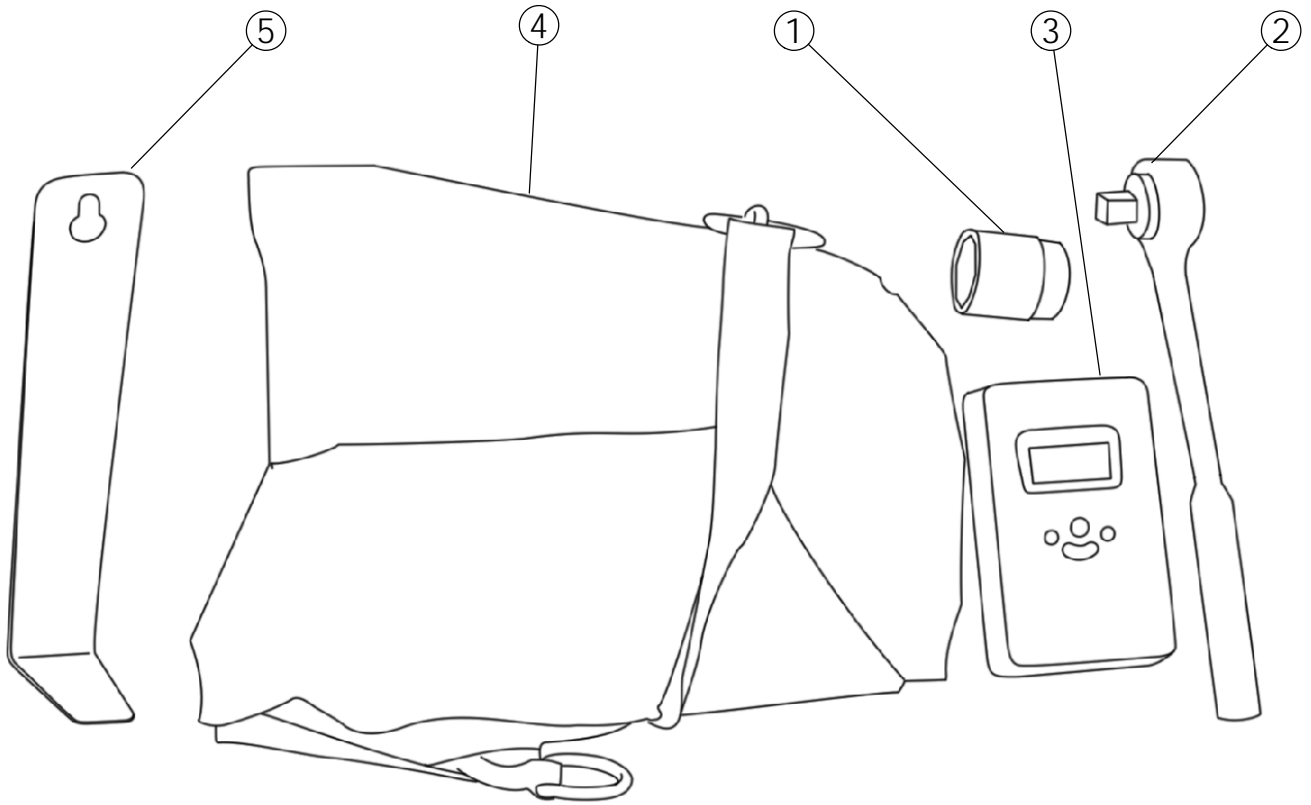
LIGHTS AND SMV SIGN ASSEMBLY

ITEM	PART NO.	DESCRIPTION	QTY
1	332182	PLATE-SMV MOUNT AND SUPPORT	1
2	65329	SIGN-SMV ASAE S276.5	1
3	1011595	BOLT-HEX: .25 X .75 NC GR5 ZP	4
4	1030946	NUT-TOPLOCK: .25 NC GR5 ZP	4
5	65832	BRACKET-LIGHT RH	1
6	65831	BRACKET-LIGHT LH	1
7	1011096	BOLT-HEX: .50 X 1.00 NC GR5 ZP	4
8	1027461	NUT-TOPLOCK: .50 NC GR5 ZP	4
9	65334	LAMP-AMBER FLASHING	2
10	65333	LAMP-RED TAIL	2
11	37498	LIGHT-FLOOD OVAL 38 WATT	2
12	65331	DECAL-YELLOW RETROREFLECTIVE	4
13	65330	DECAL-RED RETROREFLECTIVE	2
14	65332	DECAL-RED/ORANGE FLUORESCENT	2
15	37499	SHEET-WORK LIGHT BRACKET	1
16	44186	U-BOLT: RND .31 X 1.50 X 2.19 ZP	1
17	1011583	WASHER-FLAT: .31 ZP	2
18	1029115	WASHER-LOCK: .31 ZP	2
19	1011575	NUT-HEX: .31 NC GR2 ZP	2
20	65341	MODULE-INTERFACE	1
21	100615	BOLT-HEX: .19 X .75 NC GR5 ZP	4
22	1026591	NUT-K-LOCK: #10-24 NC GR2 ZP	4
23	65340	HARNESS-SAFETY LIGHT S279.11 (NOT SHOWN)	1
24	330532	HARNESS-WORK LIGHT EXT 2800/3350 (NOT SHOWN)	1
25	65354	HARNESS LIGHT EXTENSION (NOT SHOWN)	2



SAFETY DECAL

ITEM	PART NO.	DESCRIPTION	QTY
1	997861	DECAL, READ MANUAL	1
2	997859	DECAL, ENGINE OFF	1
3	997857	DECAL, FASTEN SAFETY CHAIN	1
4	997853	DECAL, UNHITCHING HAZARD	1
5	9971011	DECAL, MOVING PART HAZARD	1
6	9971269	DECAL, FLYING OBJECTS, FACE	1
7	997840	DECAL, CHEMICAL HAZARD	2
8	997863	DECAL, HIGH VOLTAGE	1
9	700744990	DECAL, EXPLODING PARTS	1
10	700745015	DECAL, CRUSHING HAZARD	4
11	997867	DECAL, FLUID UNDER PRESSURE	1
12	700744934	DECAL, HOT SUFACE	1
13	9971015	DECAL, FALL OFF HAZARD	3
14	67668	DECAL-5250 TANK CENTER (225BU)	1
15	9971018	DECAL, SPEED SIGN, 20 MILE/H	1
16	9971021	DECAL, ELECTROCUTION	1
17	9971270	DECAL, AUGER ENTANGLEMENT, HAND	1



CALIBRATION KIT COMPONENTS

ITEM	PART NO.	DESCRIPTION	QTY
1	66354	SOCKET-1.125" (.50" DRIVE)	1
2	65890	RATCHET-1/2" DRIVE	1
3	67641	SCALE-CALIBRATION DIGITAL 110LB	1
4	1032048	BAG-CALIBRATION KT	1
5	34569	PLATE-WRENCH SEED DEPTH	1
6	65891	SCREWDRIVER-FLOW SENSOR (NOT SHOWN)	1